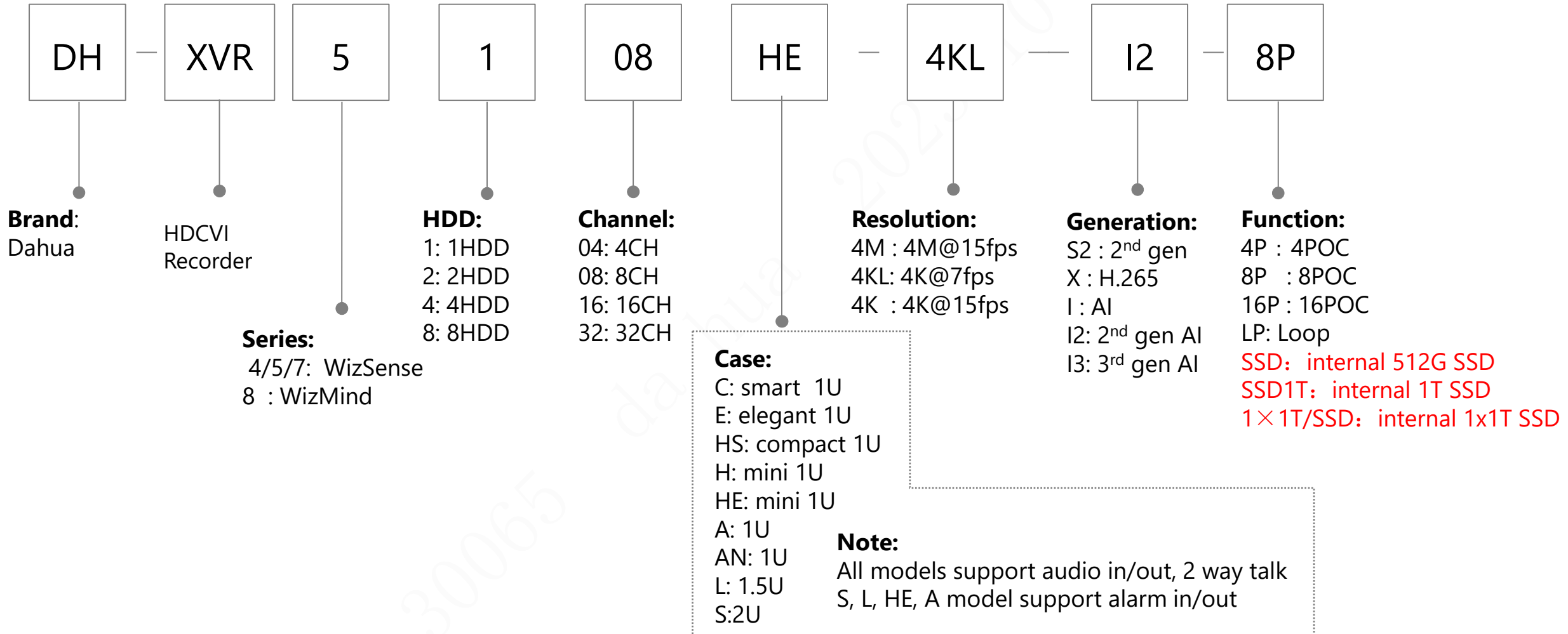


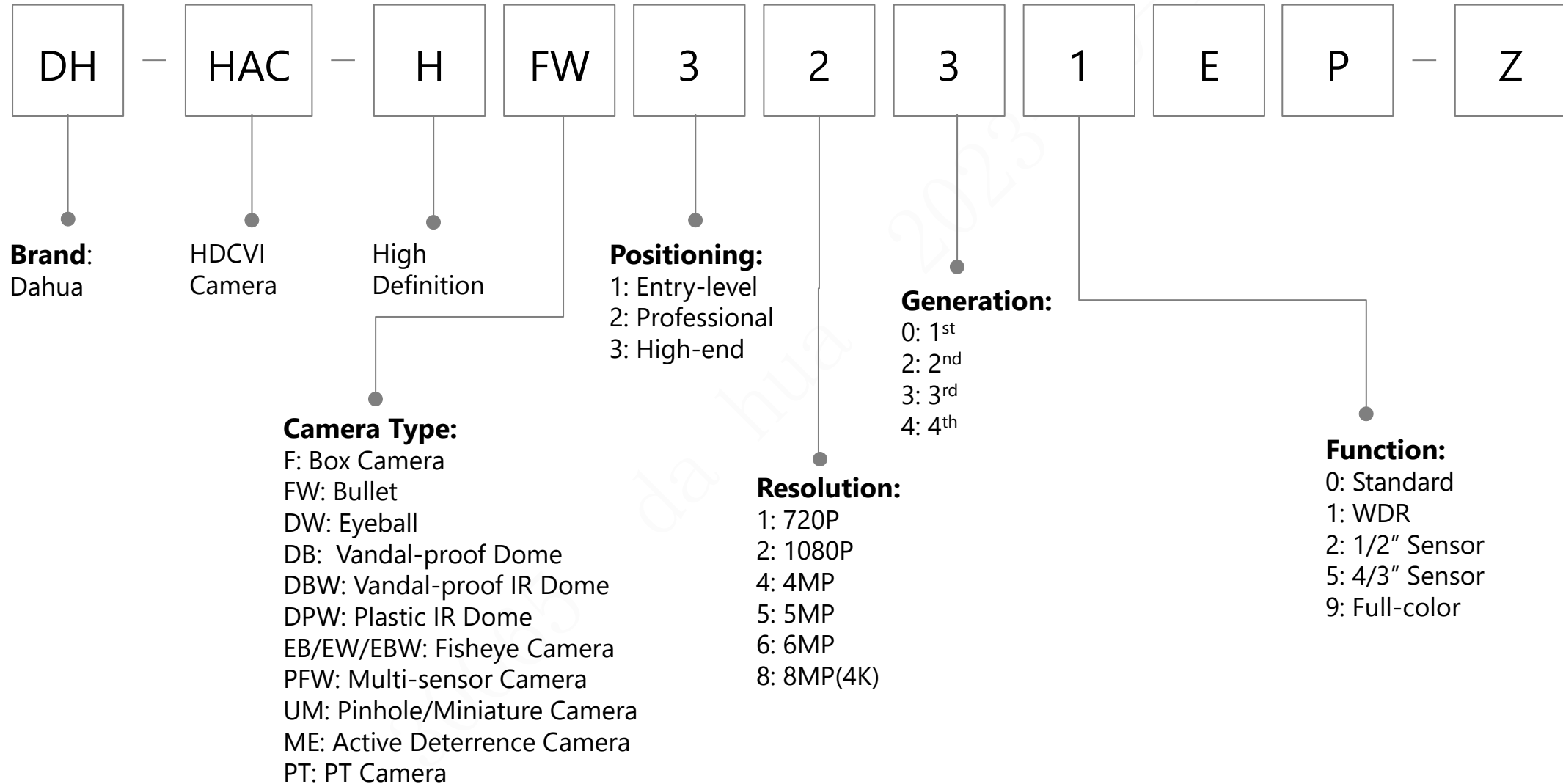
Name Rule V20231012

Page	Product	Page	Product
1	V20231012	48	ATM DVR/NVR
2、 5	HDCVI Recorder (XVR)	49	Thermal Camera
3~5	HDCVI Camera/Cooper series	50	Consumer Camera
6~10	Mobile DVR/NVR Mobile HDCVI Camera Mobile IPC Mobile Active Safety Camera	51~56	Display: Monitor/TV/ LCD/Digital Signage/LED
11~15	Network Camera	57~59	Control: Decoder/Video wall controller
16~17	General NVR/AI NVR	60~61	Public Lens/audio
18~20	IVSS/IVD/EVS/ESS/IVS	62~63	Alarm
21~26	Accessory/Video Conferencing	64~69	Access Control
27~28	Speed Dome (PTZ Camera)	70~76	Intelligent Traffic System
29~35	MPT/SSD/Memory Card/USB Flash Drivers/PSSD & eHDD/DRAM	77	Dashcam
36~42	Transmission: Switch/Wireless Bridge	78~81	Security screening product
43-46	Video Intercom	82	DSS/PMS
47	KIT	83	White board

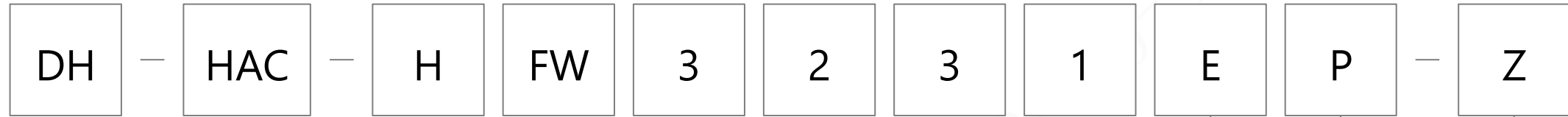
HDCVI Recorder (XVR)



HDCVI Camera (1/2)



HDCVI Camera (2/2)



Case :

- A : IR Cube/ PT Camera
- B : Active Deterrence Bullet/ Pinhole Camera
- C : Active Deterrence Bullet / Plastic Bullet
- CL: Plastic Bullet
- CLQ: Quick-to-install Plastic Eyeball
- CM: Metal Bullet
- D: Active Deterrence Bullet/ Metal Bullet
- E : Metal Bullet/Metal Dome
- EA : Metal Dome
- EQ: Active Deterrence Quick-to-install Eyeball
- EM: Metal Eyeball
- F: Metal Wedge Dome
- G : Micro-size Bullet/ Box
- H : TiOC Metal Eyeball

- M : Metal Eyeball
- R: Plastic Bullet/ Plastic Eyeball
- RA: Metal Dome
- R-Z: Metal Bullet/ Metal Dome
- S: Metal Bullet
- T: Metal Bullet/ Metal Eyeball
- T-Z: Metal Bullet/ Metal Eyeball
- T-I8: Large size Metal Bullet
- TE: Metal+Plastic Eyeball
- TH-I4: IR 40m Bullet (Metal Bracket)
- TH-I8: IR 80m Bullet (Metal Bracket)
- TL: Bullet/Eyeball
- TLM: Metal Bracket Bullet
- TM : Metal Bullet
- TQ: Quick-to-install Eyeball (82mm)
- TLQ: Quick-to-install Eyeball (69mm)
- TLMQ: Quick-to-install Metal Eyeball(69mm)
- TMQ: Quick-to-install Metal Eyeball (82mm)
- TRQ: Quick-to-install Eyeball (Without IP67) (69mm)

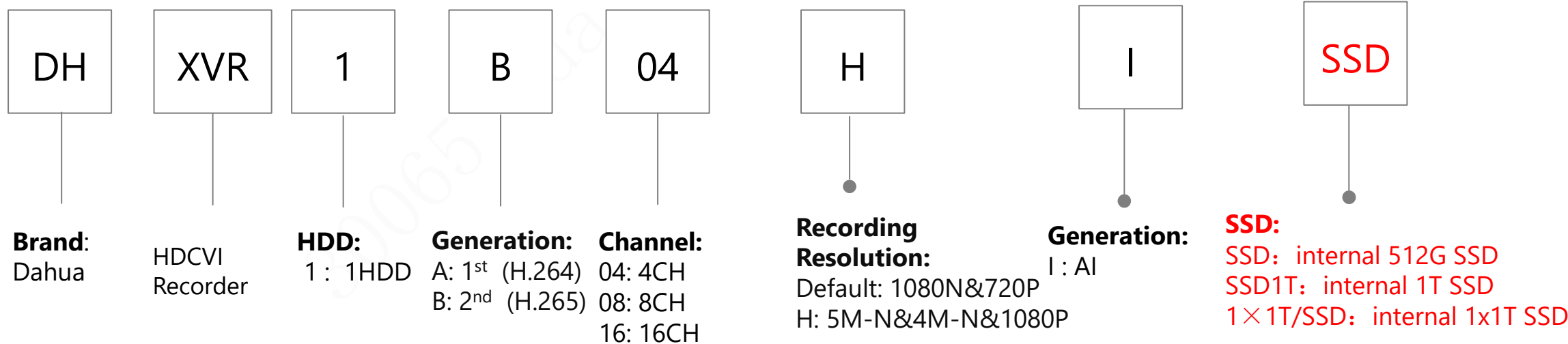
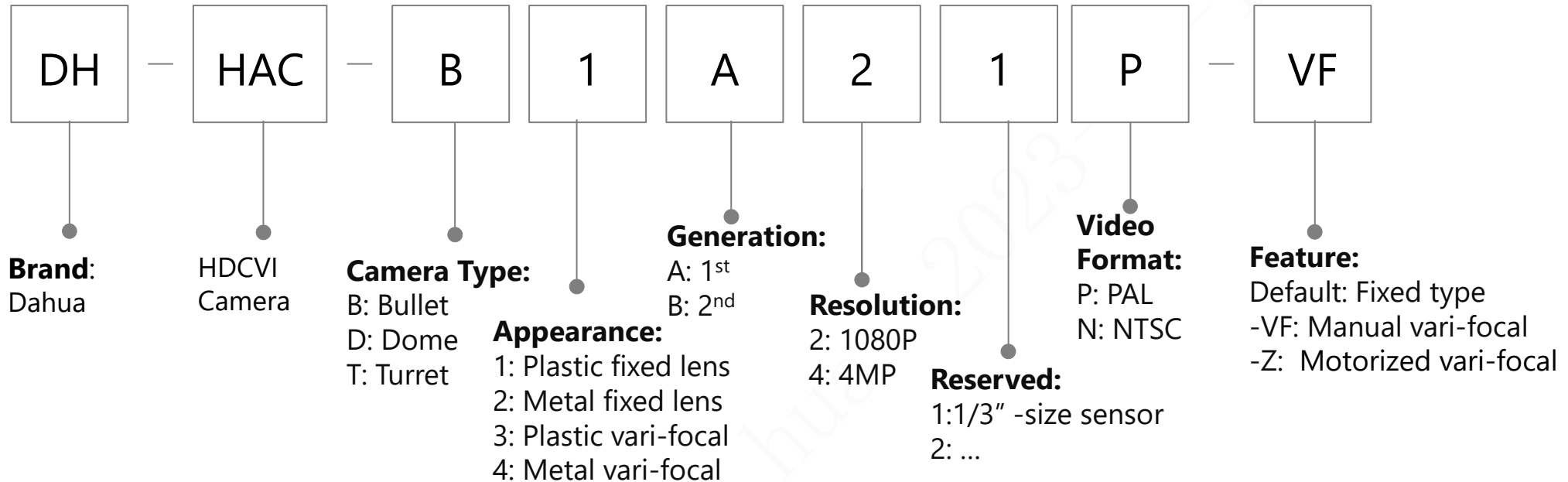
Video Format:

- P: PAL
- N: NTSC

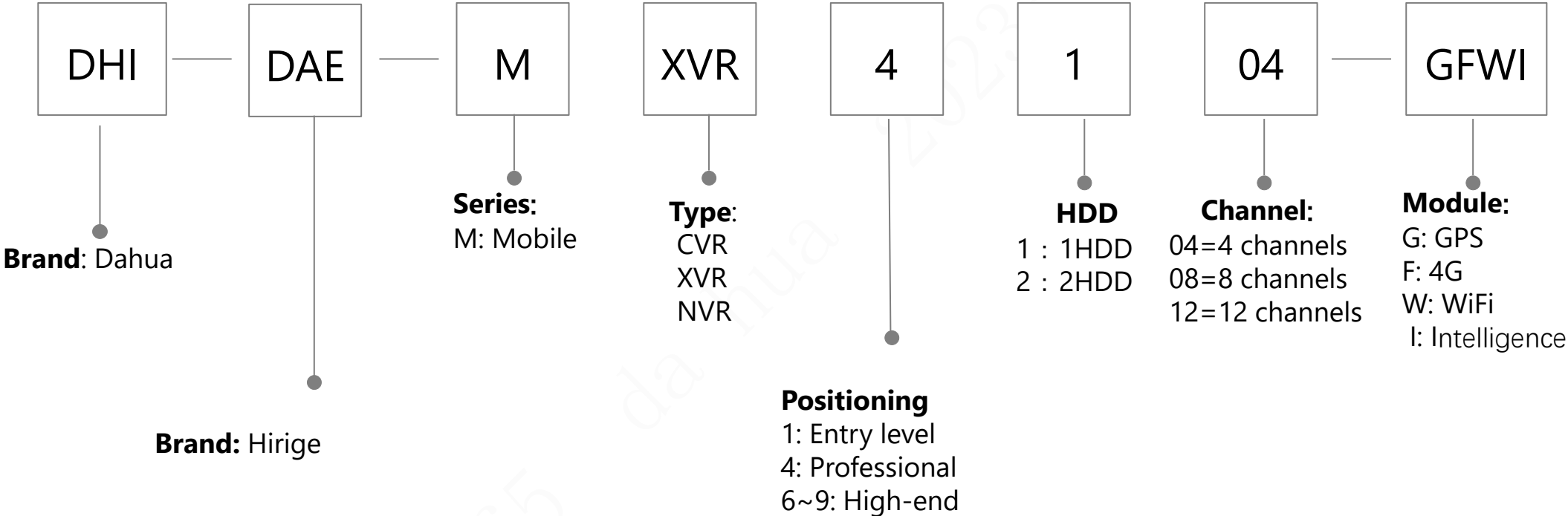
Feature:

- VF: Manual vari-focal
- Z: Motorized vari-focal
- H: With built-in heater
- T: With SDI output
- A: Built-in mic
- DP: Dual-power (AC24V/DC12V)
- POC: Power over coax
- LED: White light
- DIP: Dip switch
- VP: Vandal proof
- TH: Temperature & Humidity
- IL : Smart Dual Light
- W: Wireless
- IRE6: IR 60m
- PIR: PIR Camera
- L: White Light
- S: Siren
- LS: White Light & Siren
- PV: TiOC Camera

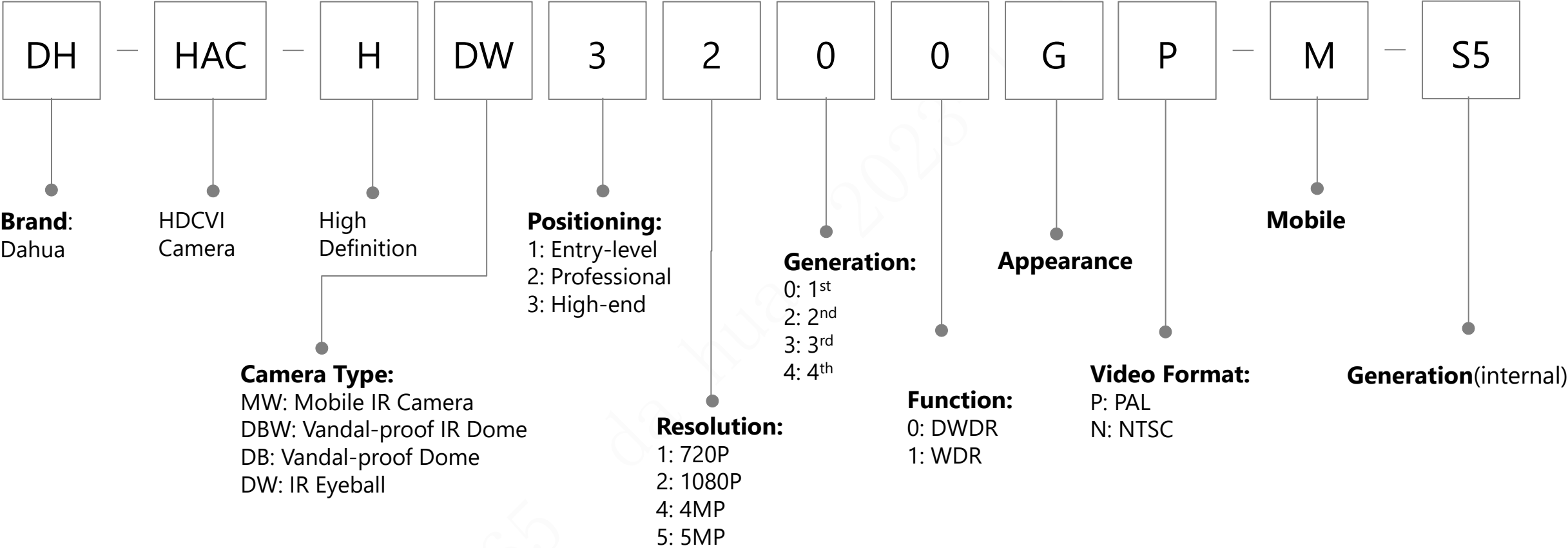
HDCVI Cooper Series (Camera & Recorder)



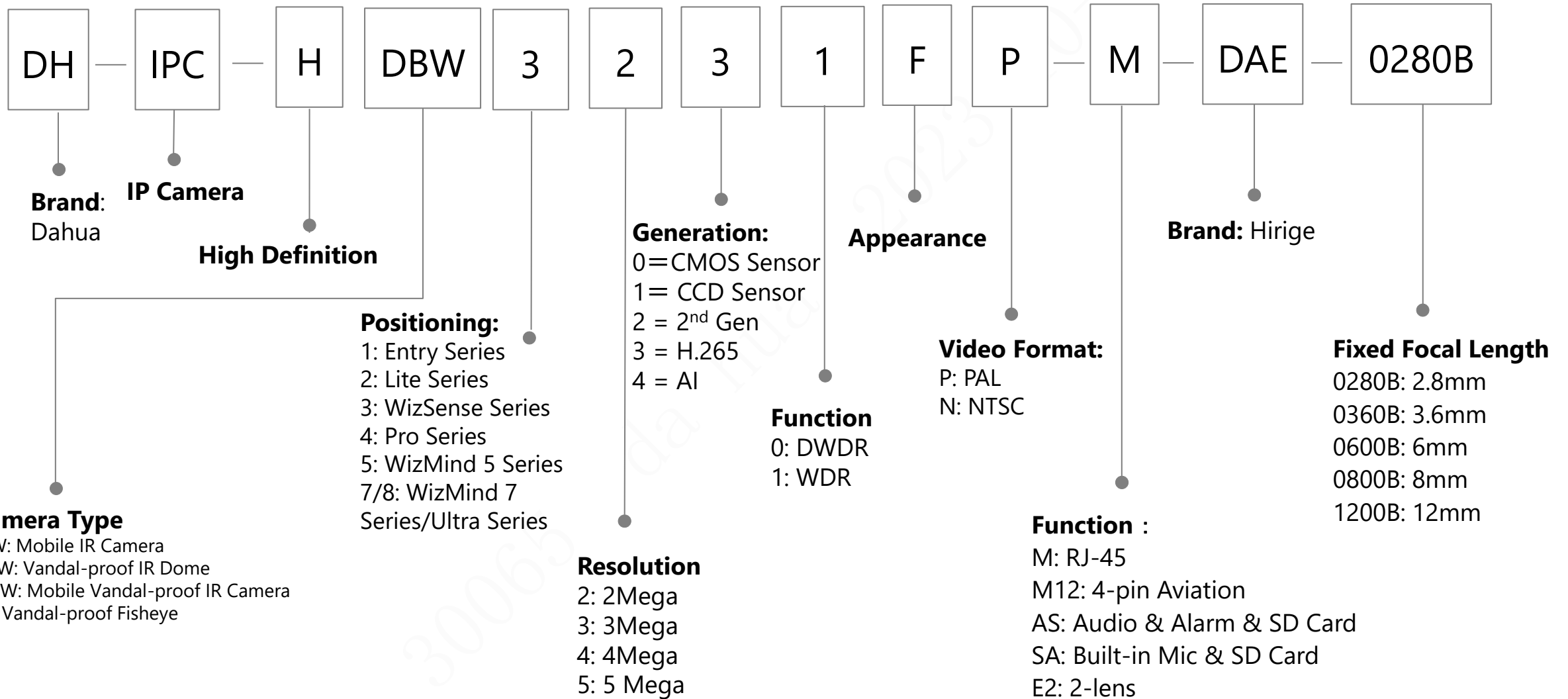
Mobile DVR/NVR



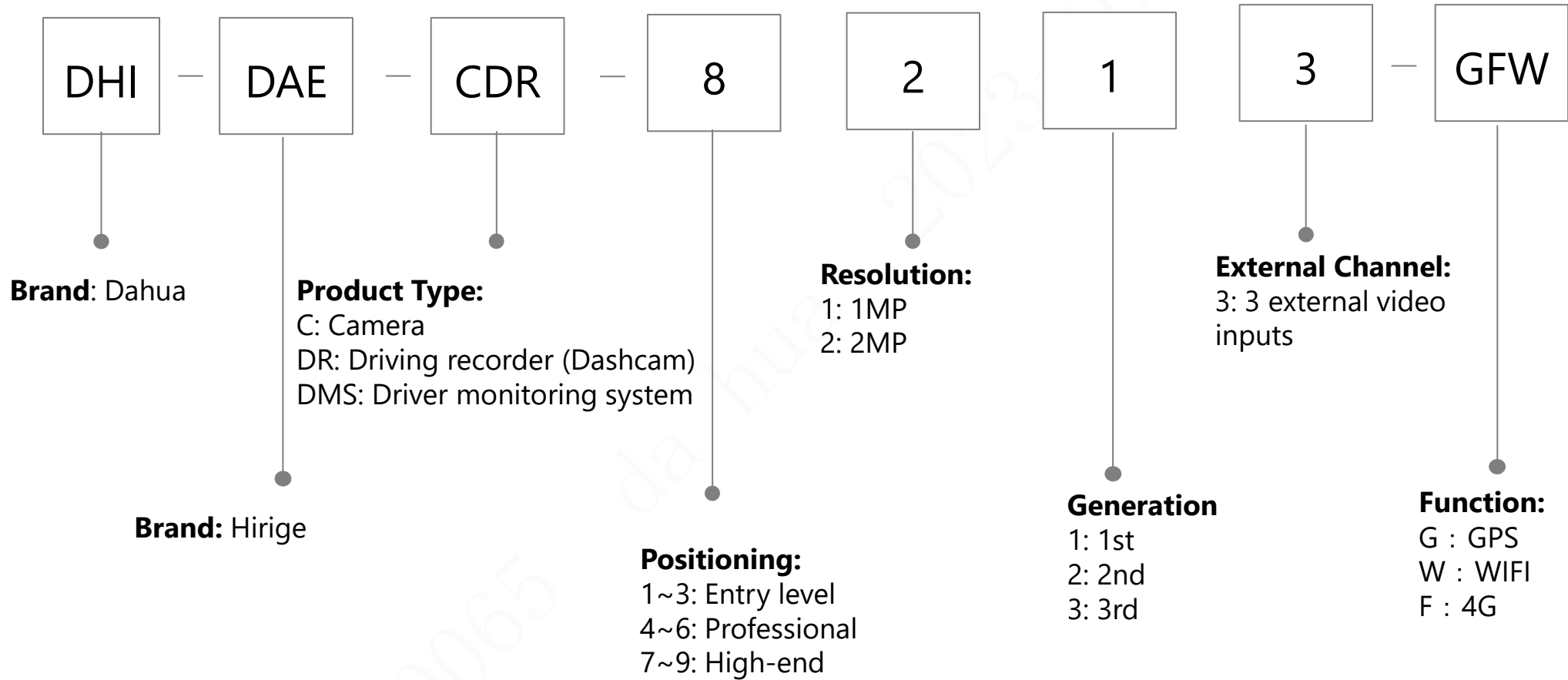
Mobile HDCVI Camera



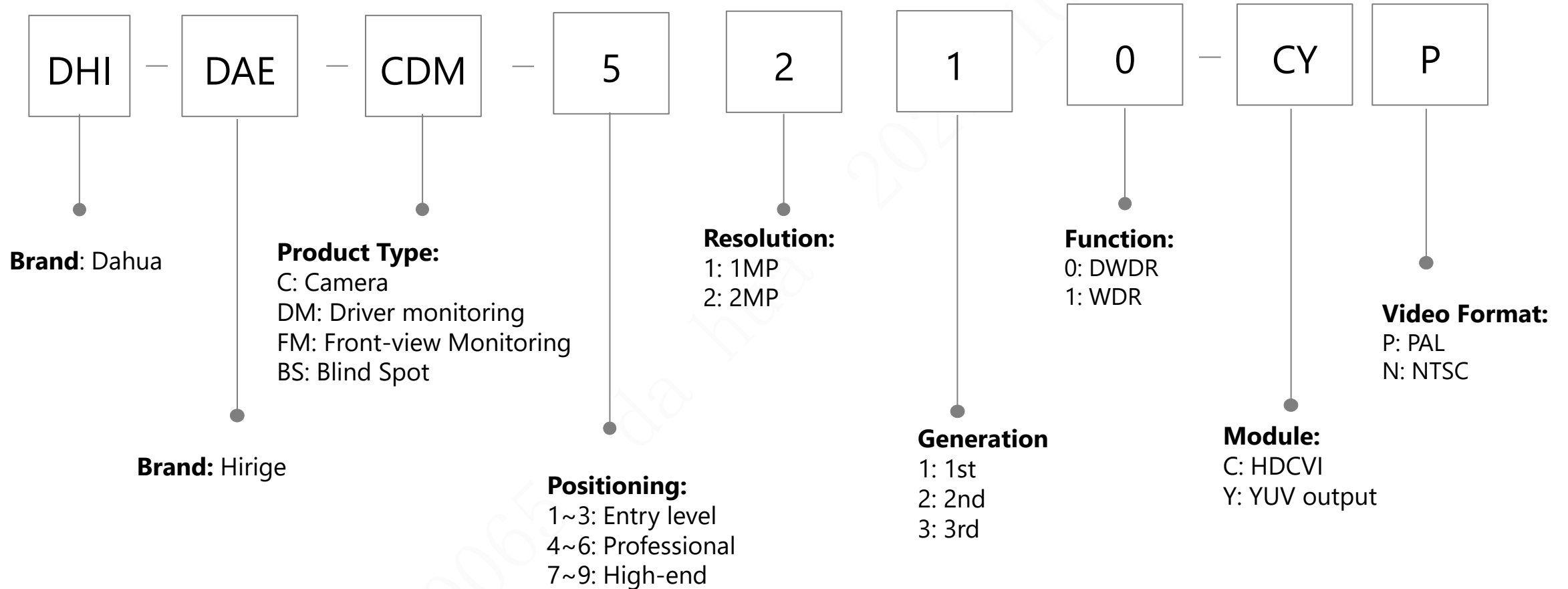
Mobile IPC



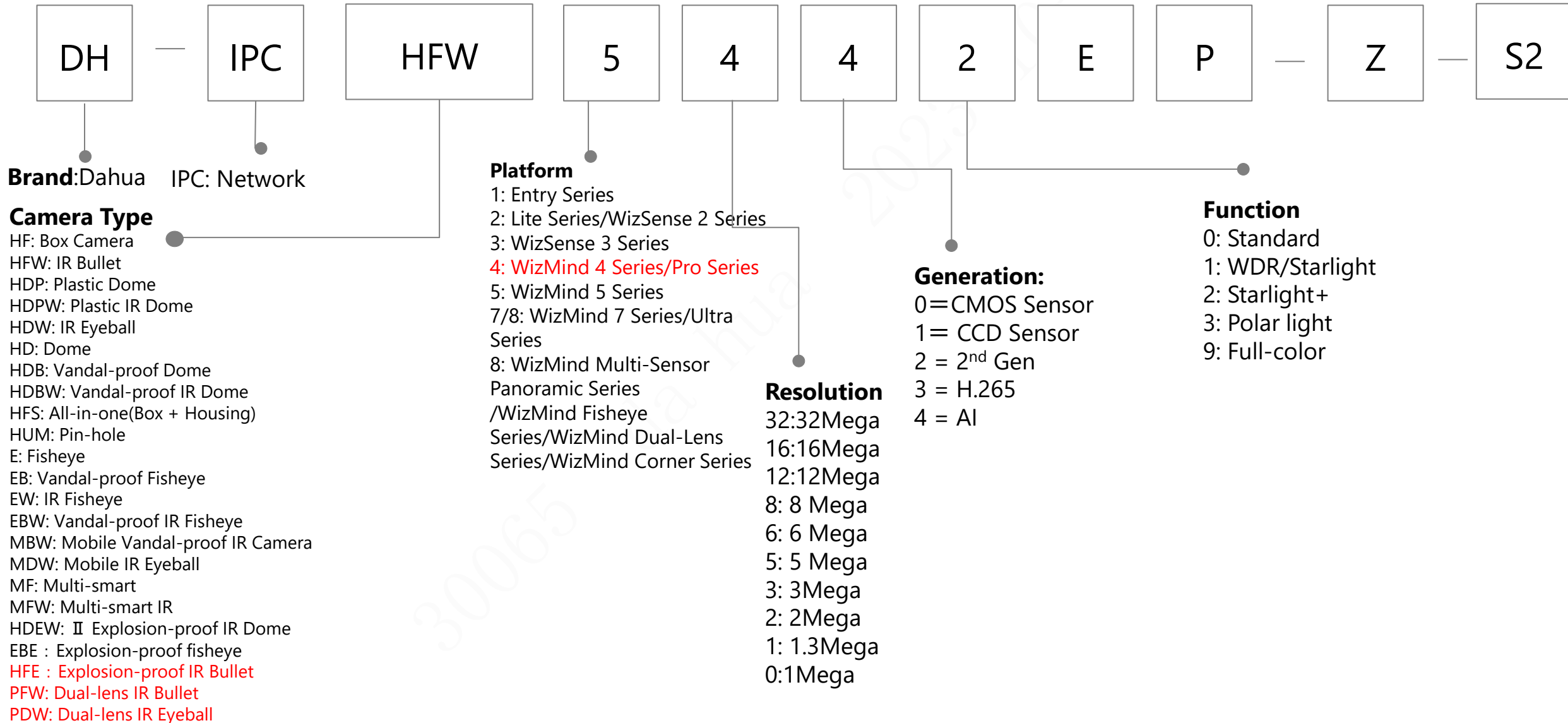
Mobile Active Safety Camera (1/2)



Mobile Active Safety Camera (2/2)



Network Camera(1/2)



Brand:Dahua

IPC: Network

Camera Type

- HF: Box Camera
- HFW: IR Bullet
- HDP: Plastic Dome
- HDPW: Plastic IR Dome
- HDW: IR Eyeball
- HD: Dome
- HDB: Vandal-proof Dome
- HDBW: Vandal-proof IR Dome
- HFS: All-in-one(Box + Housing)
- HUM: Pin-hole
- E: Fisheye
- EB: Vandal-proof Fisheye
- EW: IR Fisheye
- EBW: Vandal-proof IR Fisheye
- MBW: Mobile Vandal-proof IR Camera
- MDW: Mobile IR Eyeball
- MF: Multi-smart
- MFW: Multi-smart IR
- HDEW: II Explosion-proof IR Dome
- EBE : Explosion-proof fisheye
- HFE : Explosion-proof IR Bullet
- PFW: Dual-lens IR Bullet
- PDW: Dual-lens IR Eyeball

Platform

- 1: Entry Series
- 2: Lite Series/WizSense 2 Series
- 3: WizSense 3 Series
- 4: **WizMind 4 Series/Pro Series**
- 5: WizMind 5 Series
- 7/8: WizMind 7 Series/Ultra Series
- 8: WizMind Multi-Sensor Panoramic Series /WizMind Fisheye Series/WizMind Dual-Lens Series/WizMind Corner Series

Resolution

- 32:32Mega
- 16:16Mega
- 12:12Mega
- 8: 8 Mega
- 6: 6 Mega
- 5: 5 Mega
- 3: 3Mega
- 2: 2Mega
- 1: 1.3Mega
- 0:1Mega

Generation:

- 0= CMOS Sensor
- 1= CCD Sensor
- 2 = 2nd Gen
- 3 = H.265
- 4 = AI

Function

- 0: Standard
- 1: WDR/Starlight
- 2: Starlight+
- 3: Polar light
- 9: Full-color

Network Camera(2/2)



Appearance

B: Single IR LEDs IR Bullet
 C: IR Bullet/Mini Dome
 D: Double IR LEDs IR Bullet
 E: IR-Bullet / Dome / Single IR LEDs Plastic Eyeball
 EM: Single IR LEDs Metal Eyeball
 F: Dome / Box Camera / Four IR LEDs IR Bullet
 G: Indoor Dome
 H: VF Bullet(with junction box) / Dome(with junction box) / Eyeball
 K: IR Bullet
 M: S-model Metal Eyeball/ Long IR Bullet
 R: Metal Vandal-proof IR Dome / Metal Bullet/Metal Eyeball
 R1: R1 Dome
 S: Plastic IR Eyeball / Mini IR Bullet
 S1: S1 IR Eyeball
 T: IR Bullet / IR Eyeball
 T1: T1 IR Bullet
 TM: Metal IR Eyeball
 X: Dual-Lens Camera
 DS1 : Non-PoE S1 Bullet
 DV : Non-PoE Eyeball
 DG : Non-PoE G Bullet
 DF : Non-PoE F Bullet
 DK1: Non-PoE K1 Bullet
DR1: Non-PoE R1 Dome

Video format

P: PAL
 N: NTSC
 (Cancellation of P/N mark for external models of products released after 2021)

Common function:

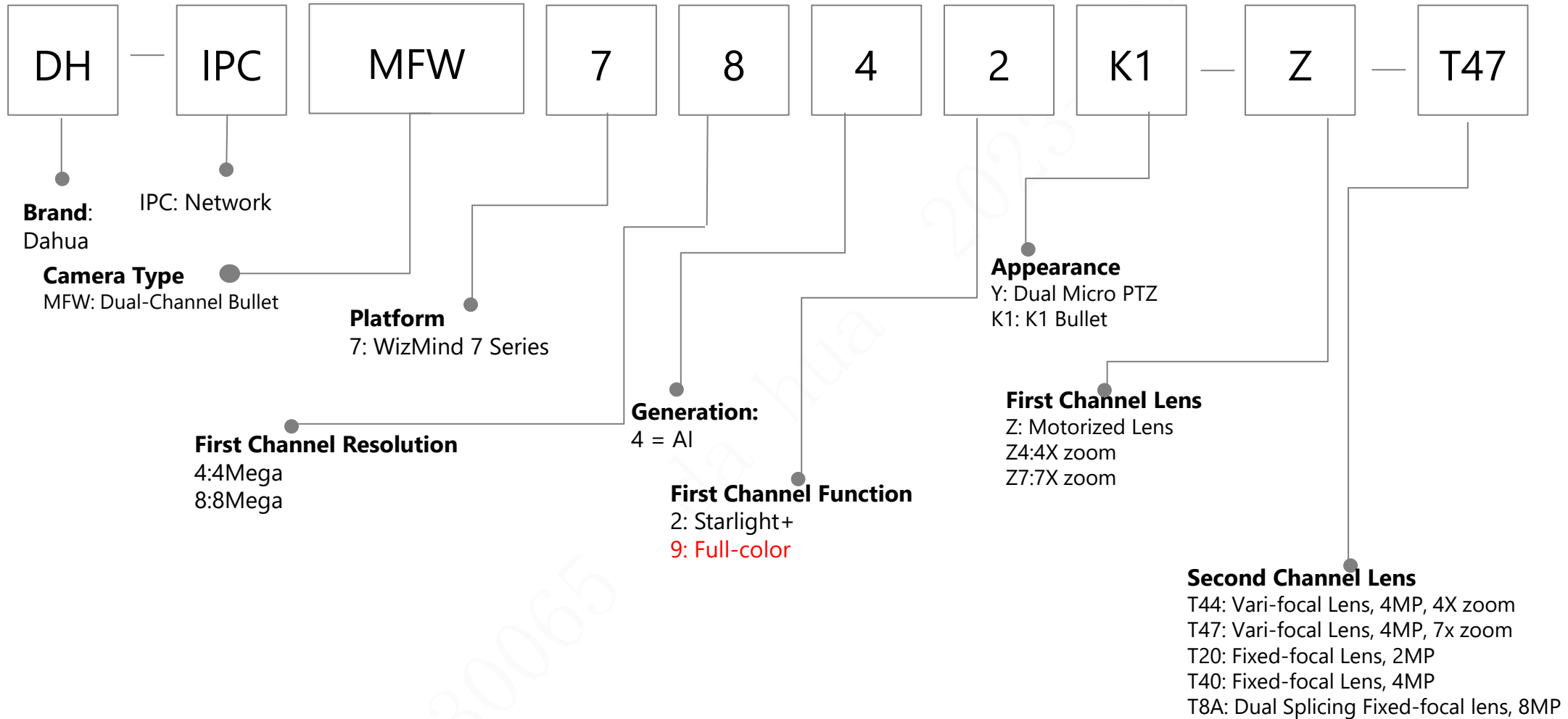
BV: Behaviors
 W: WIFI
 AW: Audio/Alarm/SD WIFI Camera
 E: E PoE
 M/M12: Mobile
 F: Fiber interface
 H: Heater
 A: Built-in MIC(only for Entry Series)
 A2: Dual Audio
 PT: pan &Tilt
 ATC: Anti-Corrosion
 S: SD card
 AS: Audio & Alarm & SD Card
 VF: Vari-focal
 SL: Stainless
T: Built-in Mic & Speaker
 Z: Motorized lens
 lx: IR numbers
 NI: Full color, non IR
 LED: White light illumination
 Z4/5/12: 4/5/12X zoom
 L1/L2/L3/L4/L5: Lens
 IRA: Bullet
 IRE6: IR Bullet
 MF: More Frame
 SFC: Separated Front Cover

4G: 4G
 SVAC: SVAC encoder
 NF: Optical port + Network port
 N2: dual Network port
 SDI: SDI Interface
 A2: Dual Audio
 WG: WiFi & GPS
 I:Car bayonet
 PC: People Counting
 FD: Face Detection
 FR: Face Recognition
 ME: Mobile dome
 UWB: Position
 WGS:
 DAQ: data collection
 U:USB
 DT: Subway
 HT: Aerospace
 JM: Encryption
 D2: Dual sensor
 IL: IR and LED
 P: Wide Angle
 SP: Solar Panel

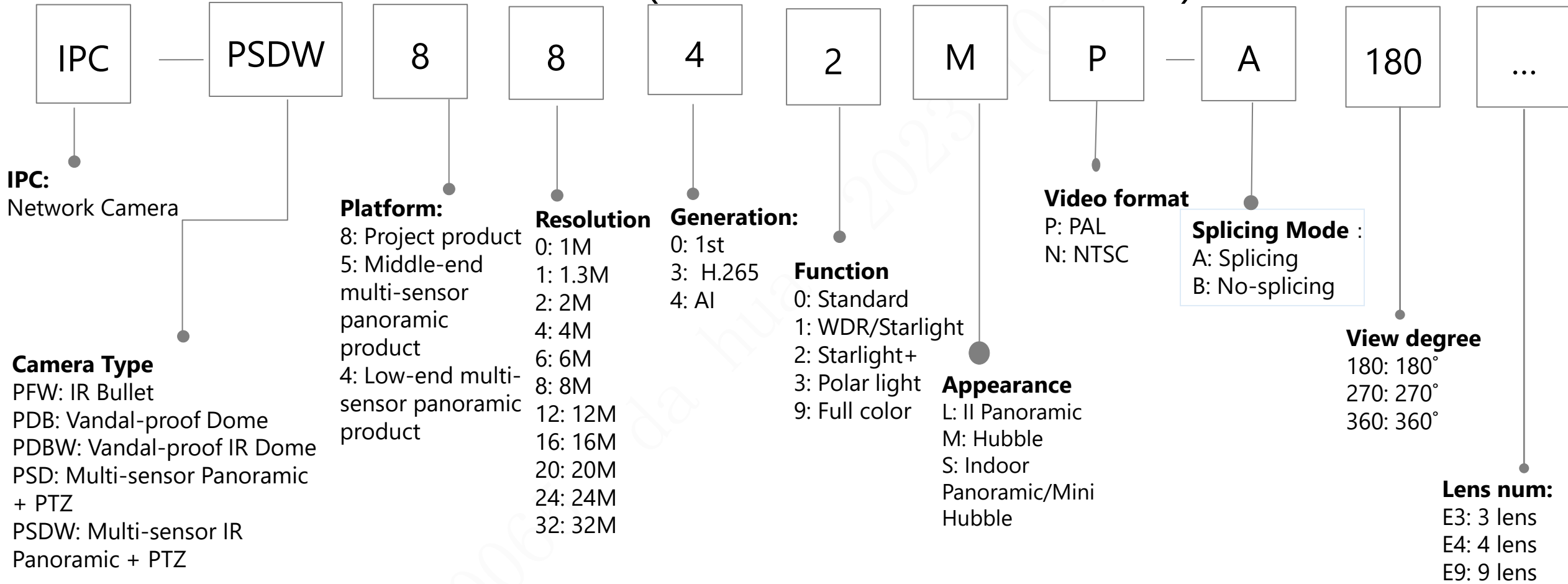
3D: 3 Dimensional
 LI: Dual Light Fusion
 PV: Perimeter Vigilance
 VM12/HM12: Vertical /Horizontal Installation Mobile Camera
 5G:5G
 VH : ANPR special model
 ATC: Anti-corrosion coating
 PD : Parking space status detection
A: Splicing
B: No-splicing
180: 180°
E2: 2 lens

S2 : Second generation
 Sn : Nth generation

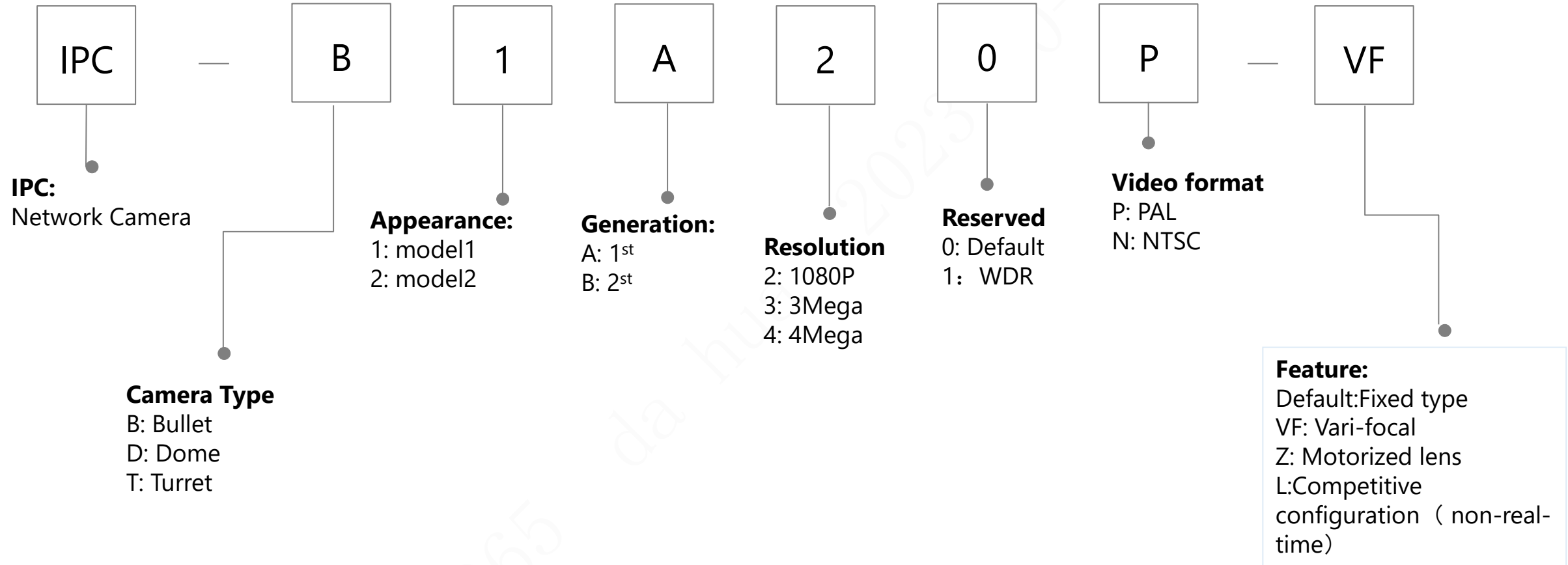
Network Camera(Dual-Sight Series)



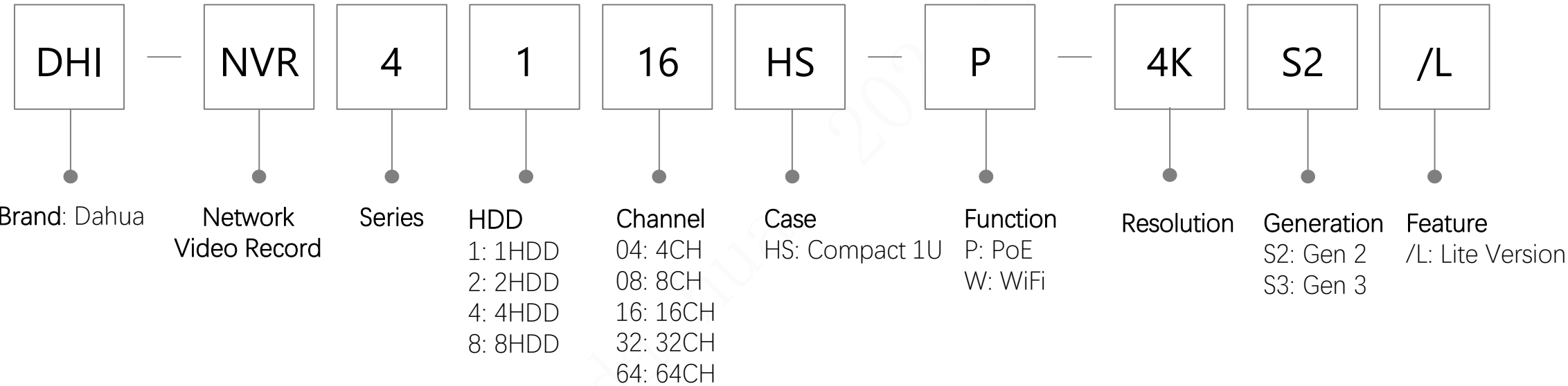
Network Camera (Panoramic Series)



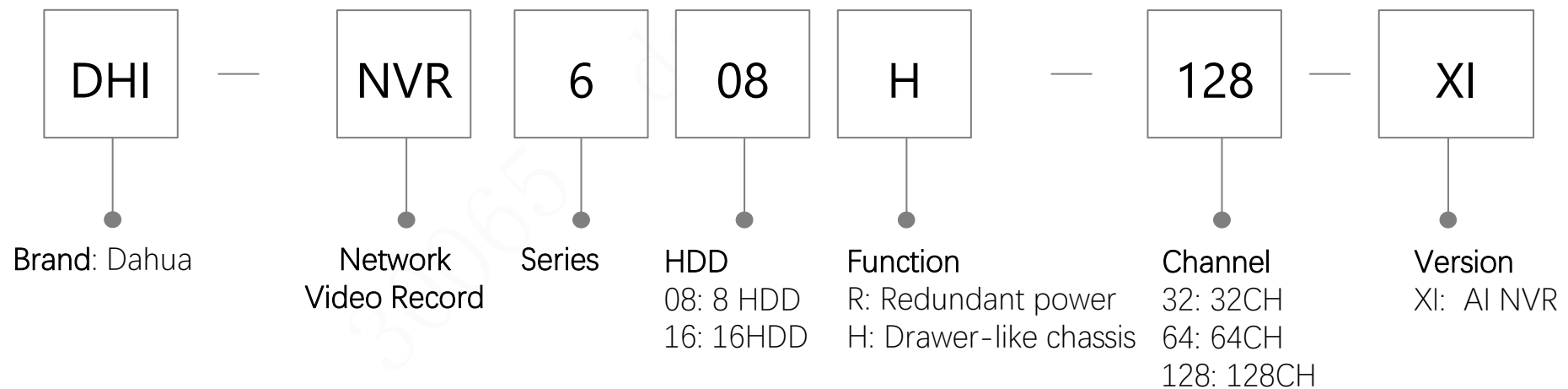
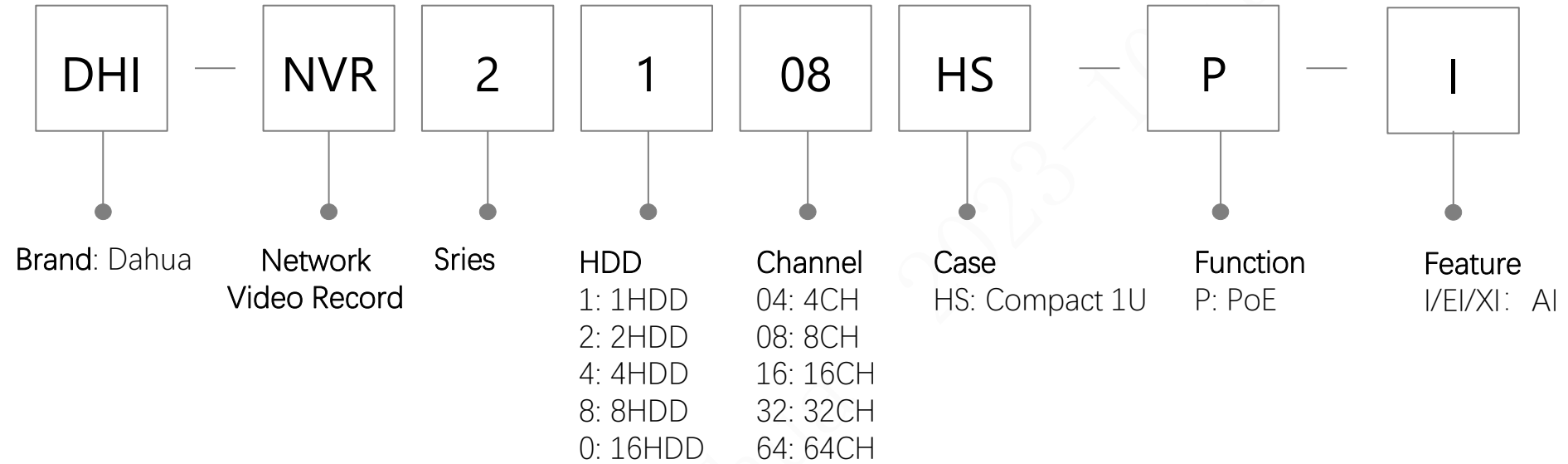
Network Camera (EZ-IP Series)



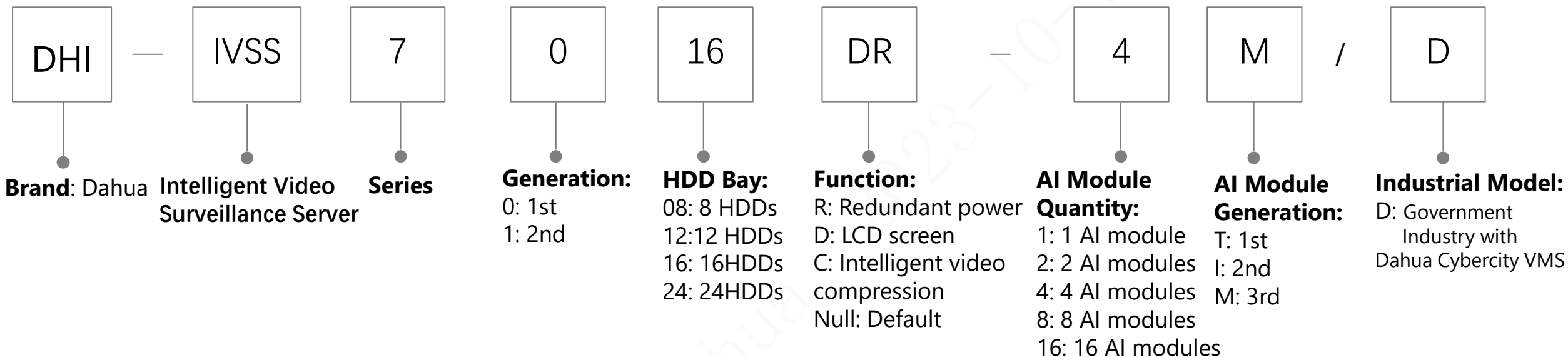
General NVR Naming Rule



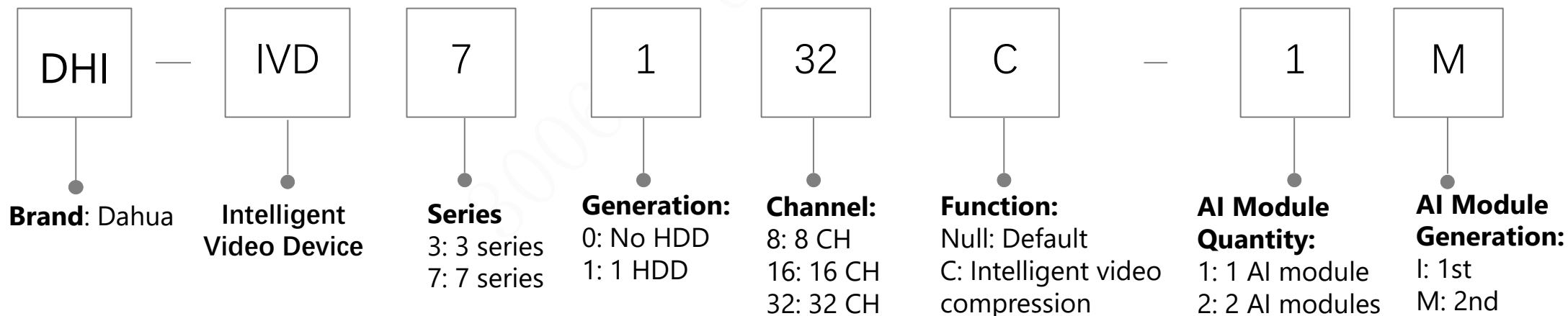
AI NVR Naming Rule



IVSS



IVD



EVS

EVS

7

Series:
5
7
8

1

Generation:
0: 1st
1: 2nd
2: 3rd

24

HDD Bay:
16: 16HDDs
24: 24HDDs
36: 36HDDs
48: 48HDDs
85: 85HDDs

S

Function:
S: Single controller
D: Dual controller
X: Dual CPU

—

R

Power:
R: Redundant power (Only for EVS50/70 series)
I: AI module

ESS

ESS

3

Series:
3

1

Generation:
0: 1st
1: 2nd

16

HDD:
16: 16HDDs
24: 24HDDs

S

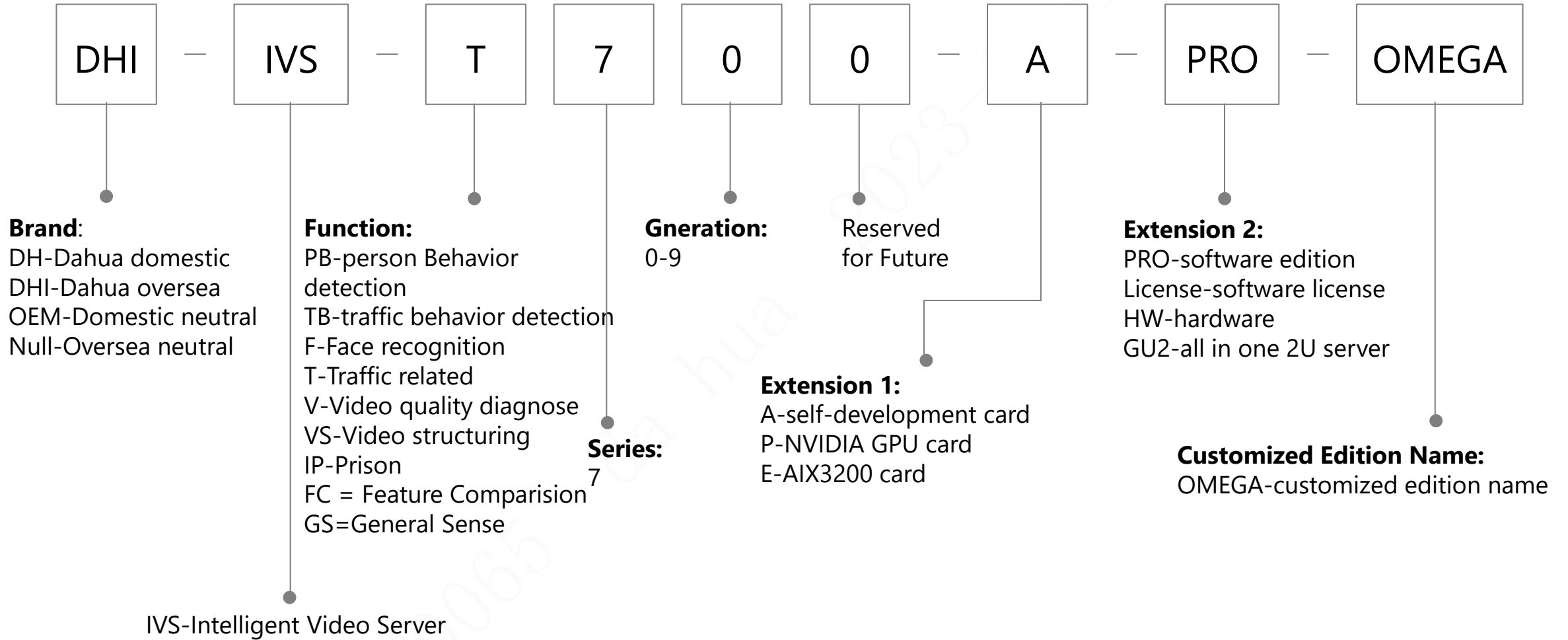
Function:
S: Single controller
D: Dual controller

—

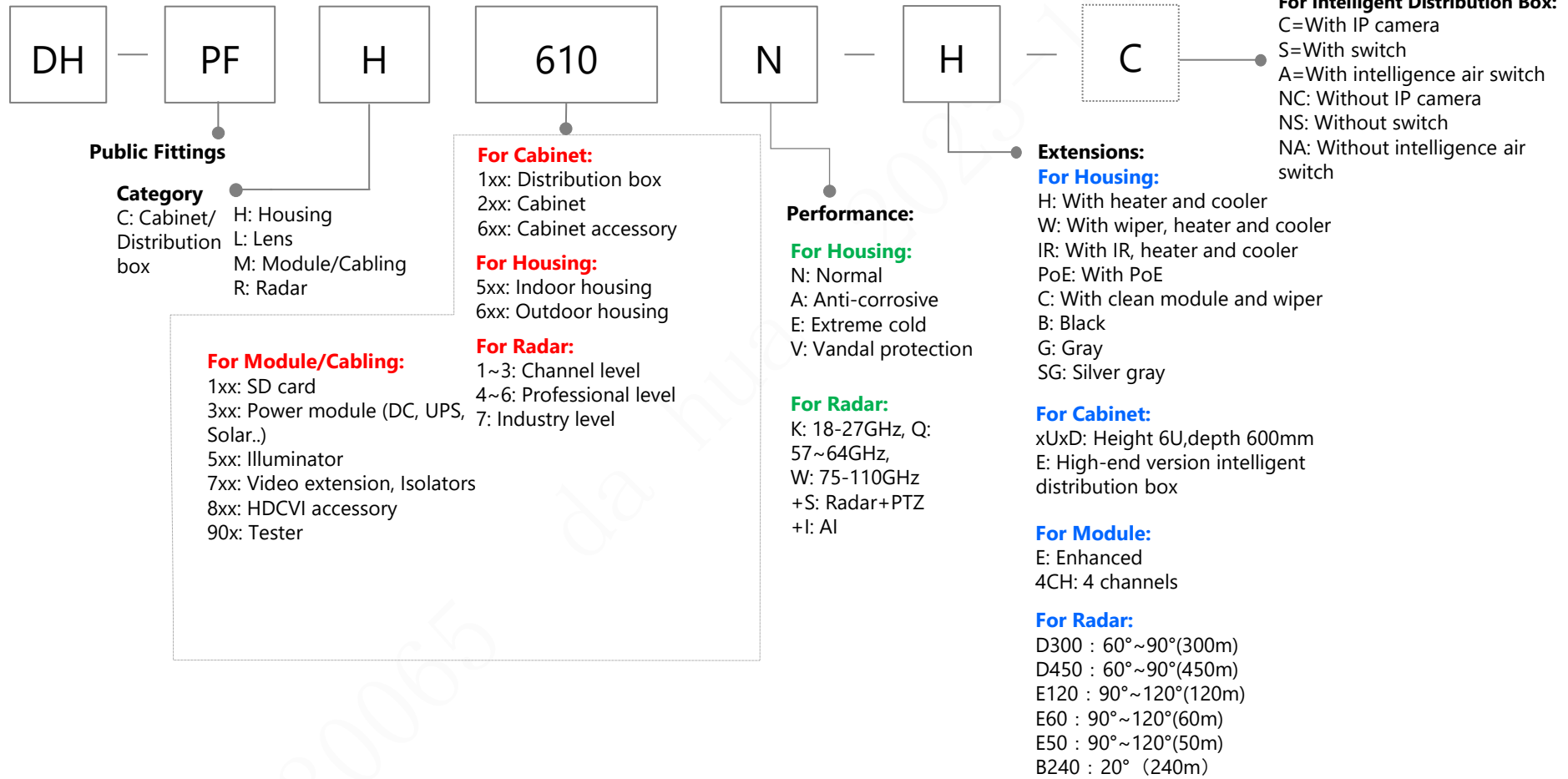
JR

Function:
J: Jbod
R: Redundant Power

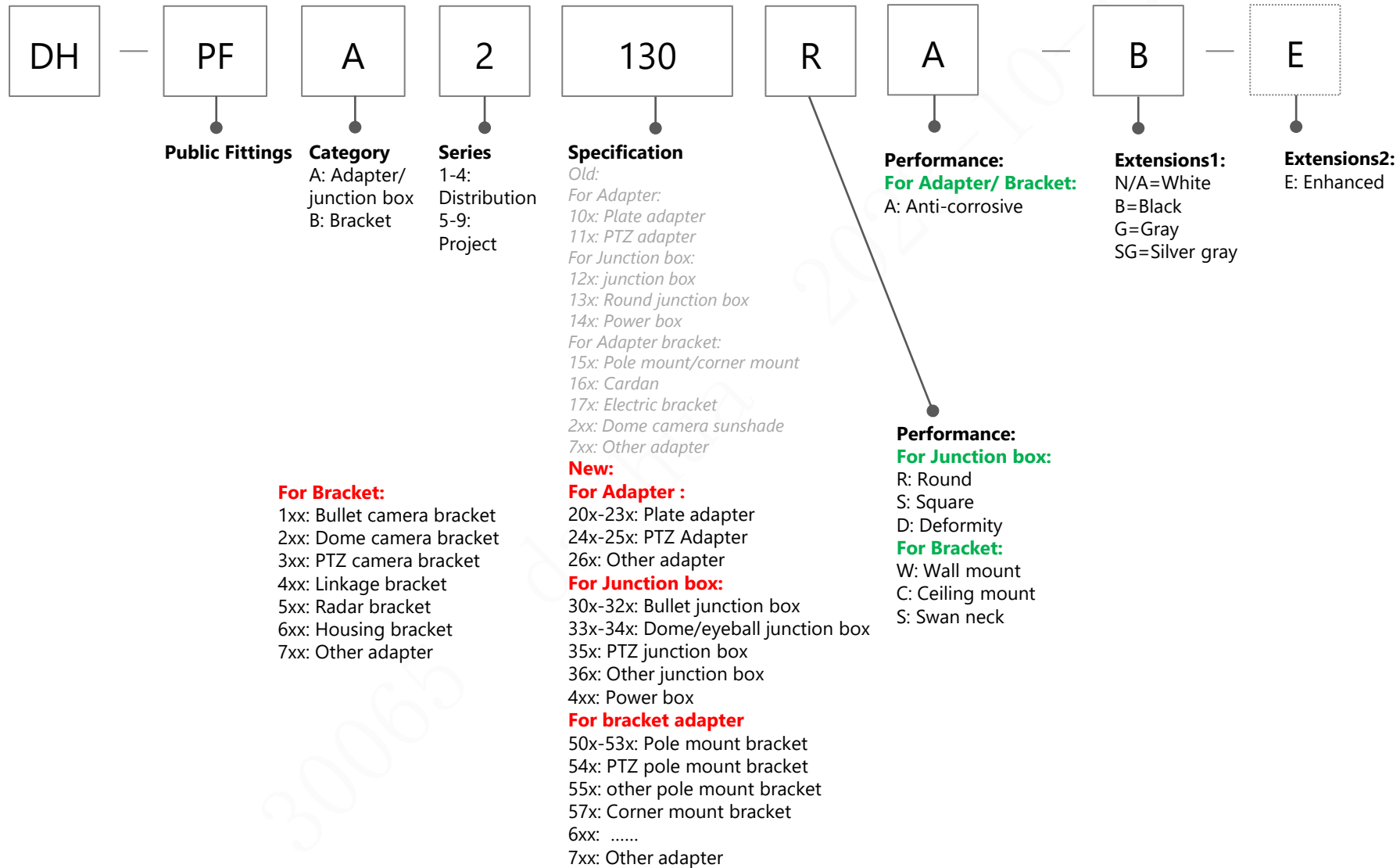
IVS



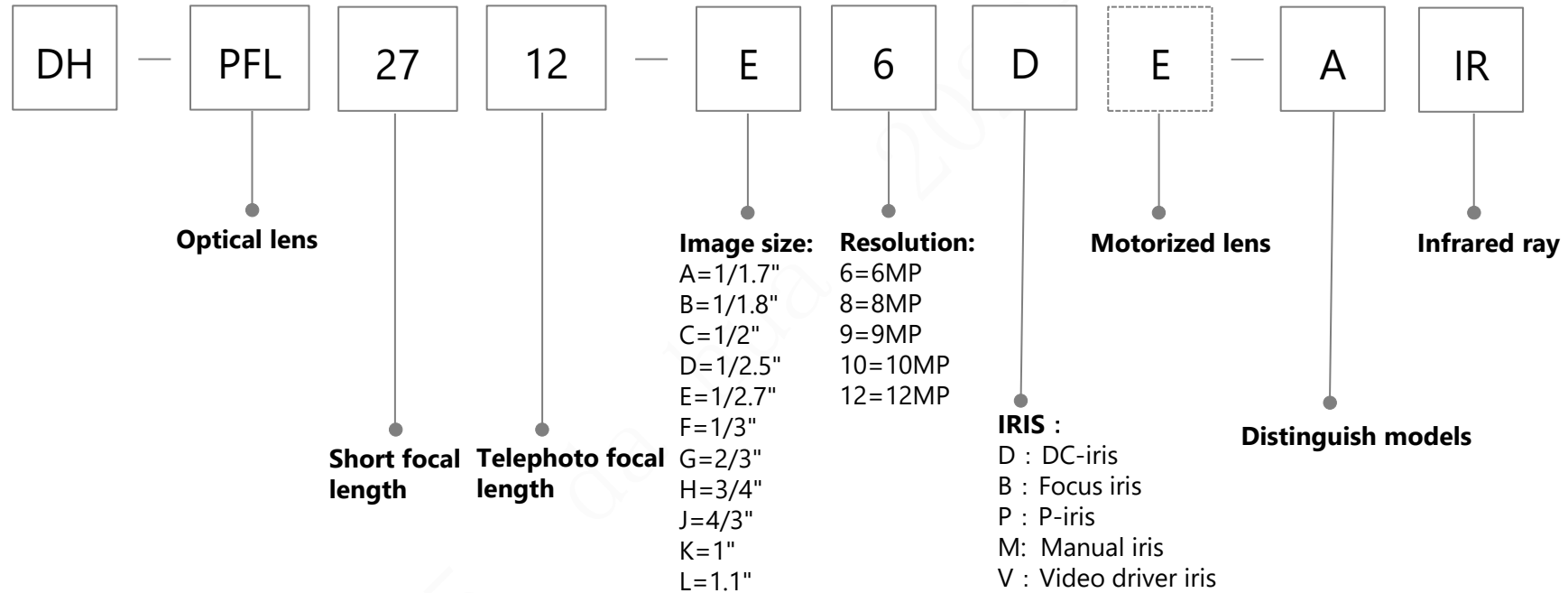
Accessory



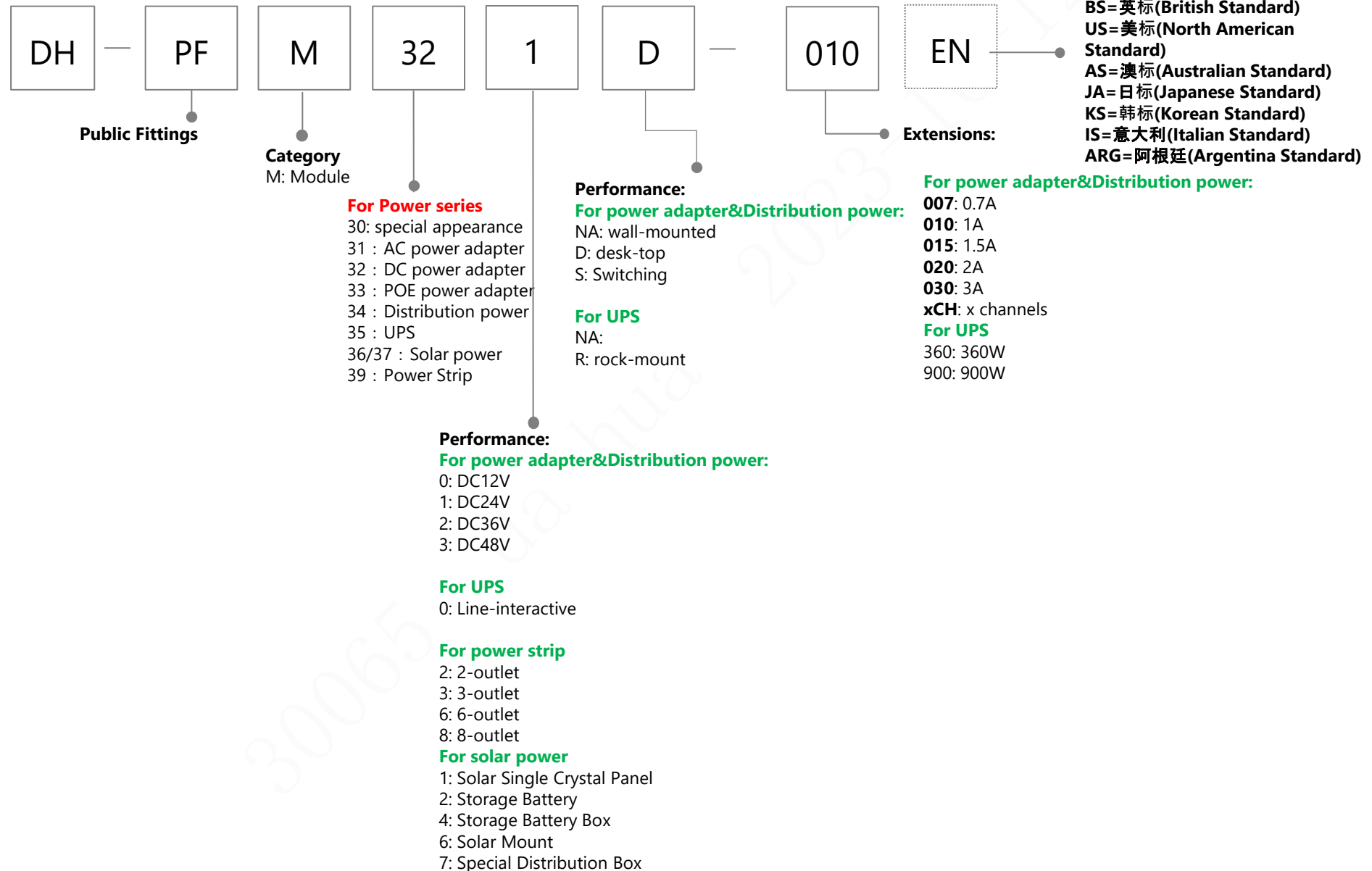
Accessory-Camera mount



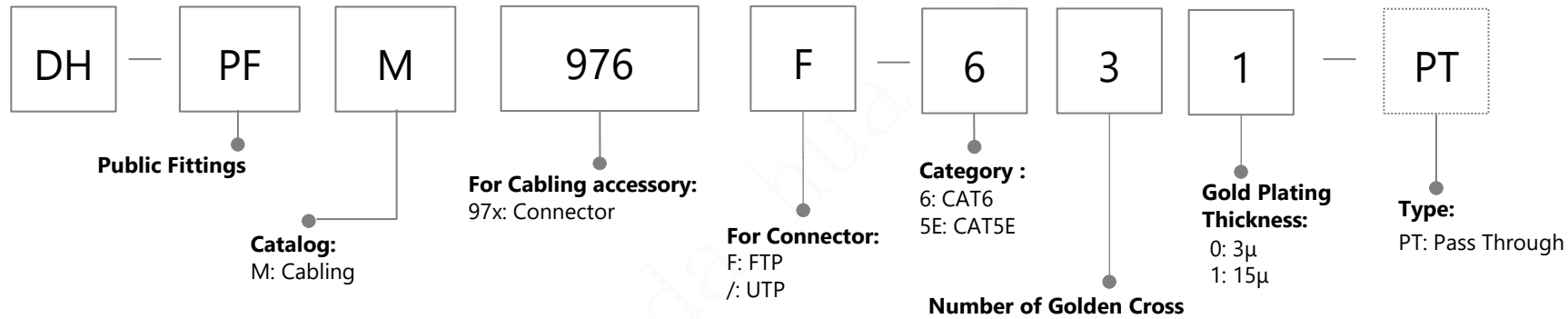
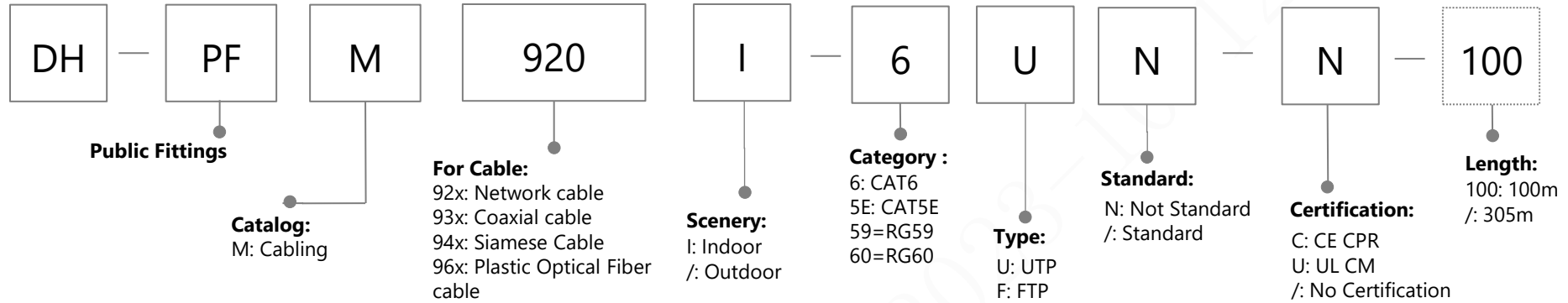
Accessory-Lens



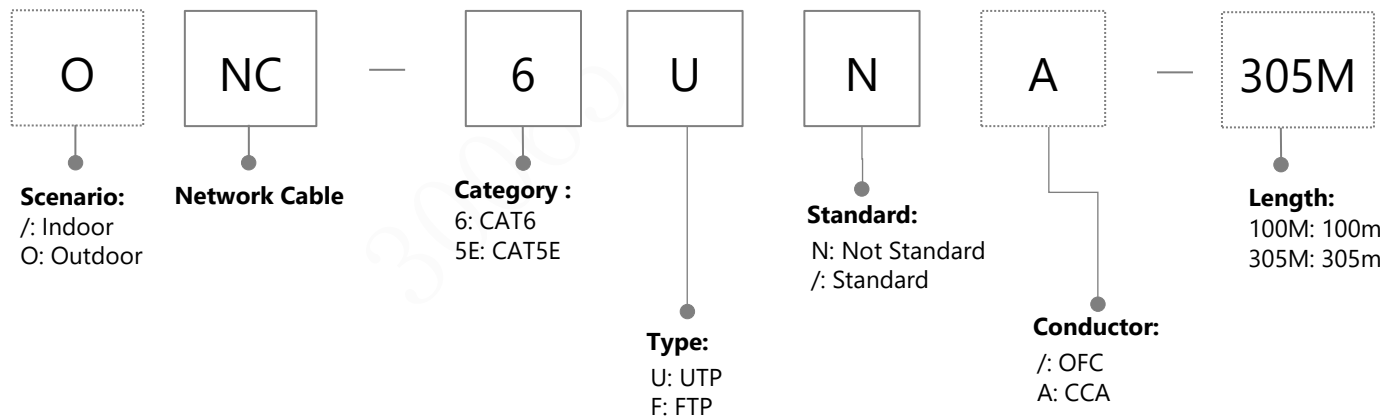
Accessory-power



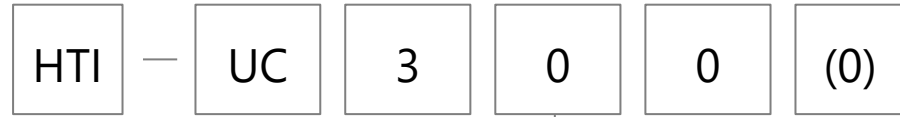
Accessory-Cabling



General Cabling-Network Cable



Video Conferencing



USB Camera

Category:

- 00-economical 1080P webcam
- 20-1080P USB webcam
- 25-1080P USB webcam (AF)
- 80H-4K webcam
- 90-4K webcam



Video conferencing system series

Microphone 3x: economical series
4x: elite series



headset

Category:
2-medium



Video conferencing system series

All-in-one USB camera & PTZ camera & HD camera

- 4- All-in-one USB camera (set on table)
- 5- Soundbar & (PTZ camera)



Video conferencing system series

Endpoint



Video conferencing Multiple control unit system series

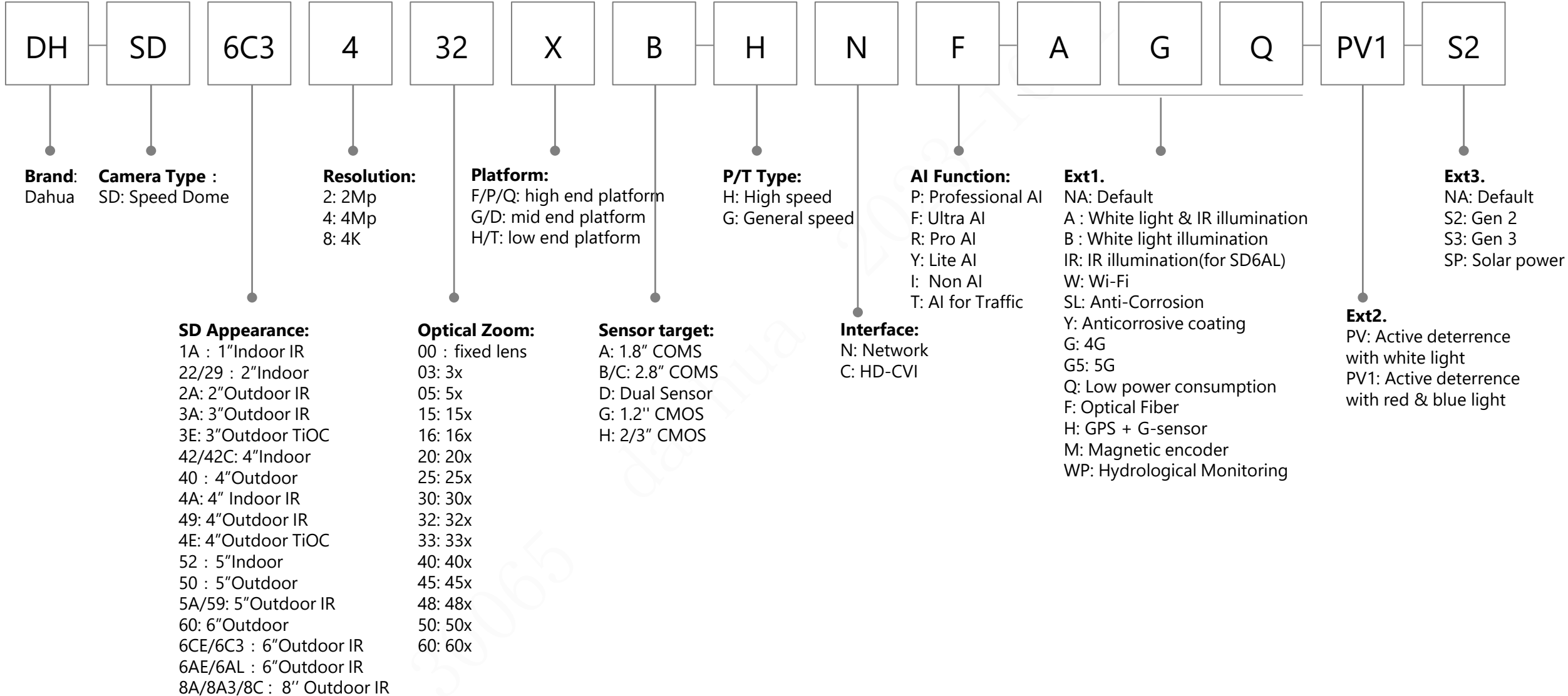


Video conferencing system series

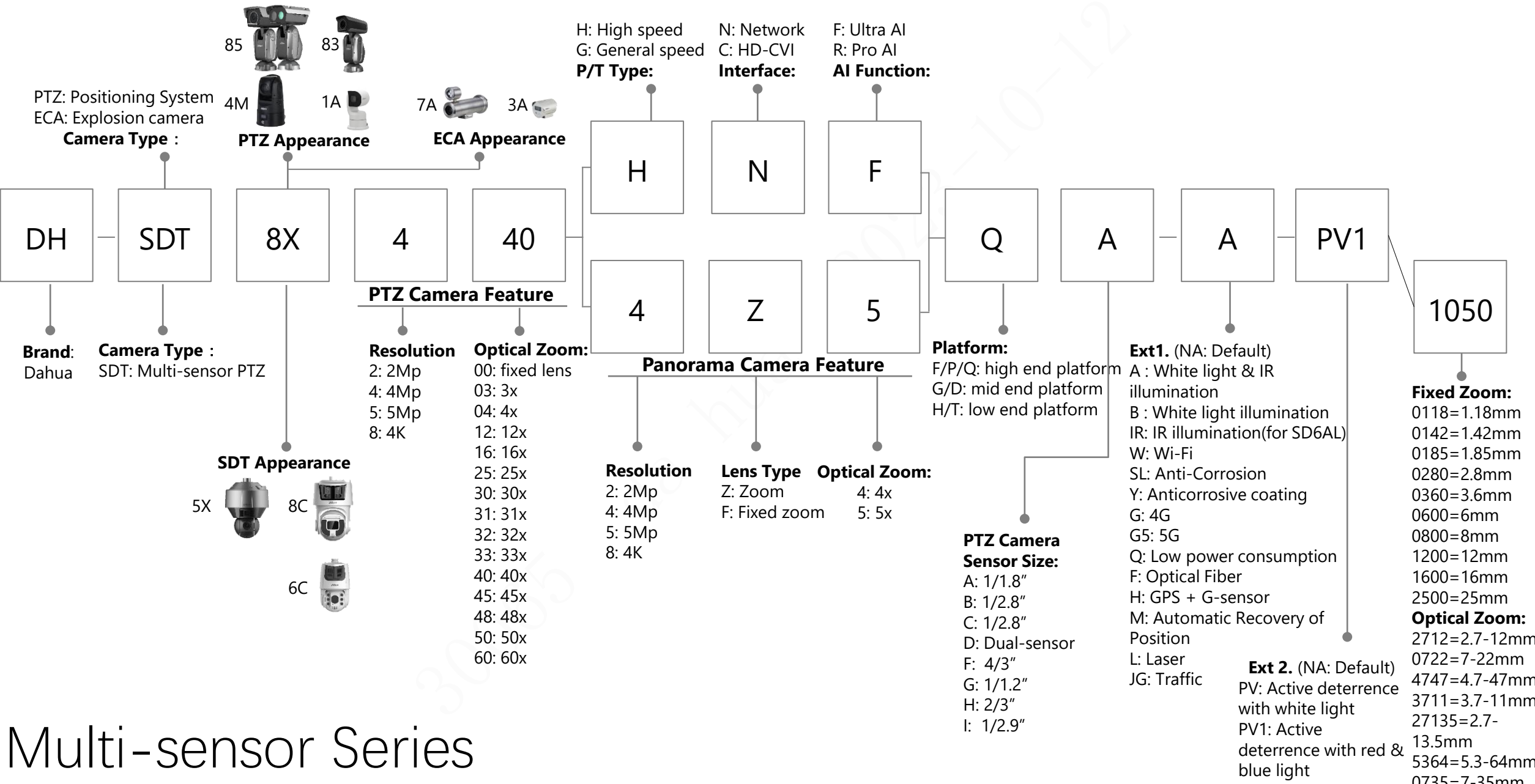
IP Speaker Series of products

Hor n

Speed Dome

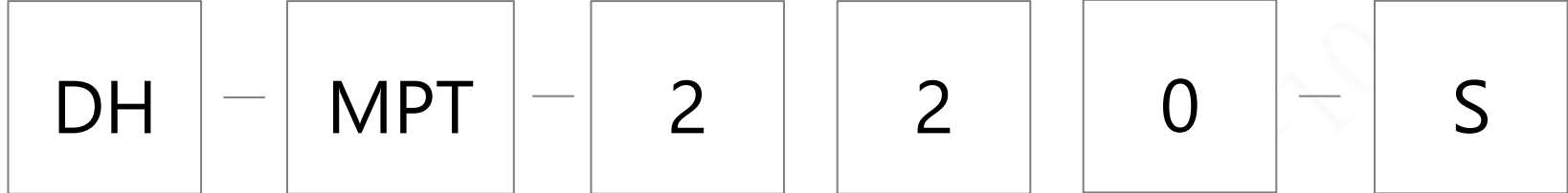


PTZ/Explosion Series



Multi-sensor Series

MPT



Brand:
Dahua

MPT Type:
1: Non-network
2: Body Camera
3: Portable Mobile
Terminal

Generation:
1: 1st
2: 2nd

Shell:
0:
1:
...

Extension:
S: Super version, larger internal storage
SA: Standalone, don't support 4G network

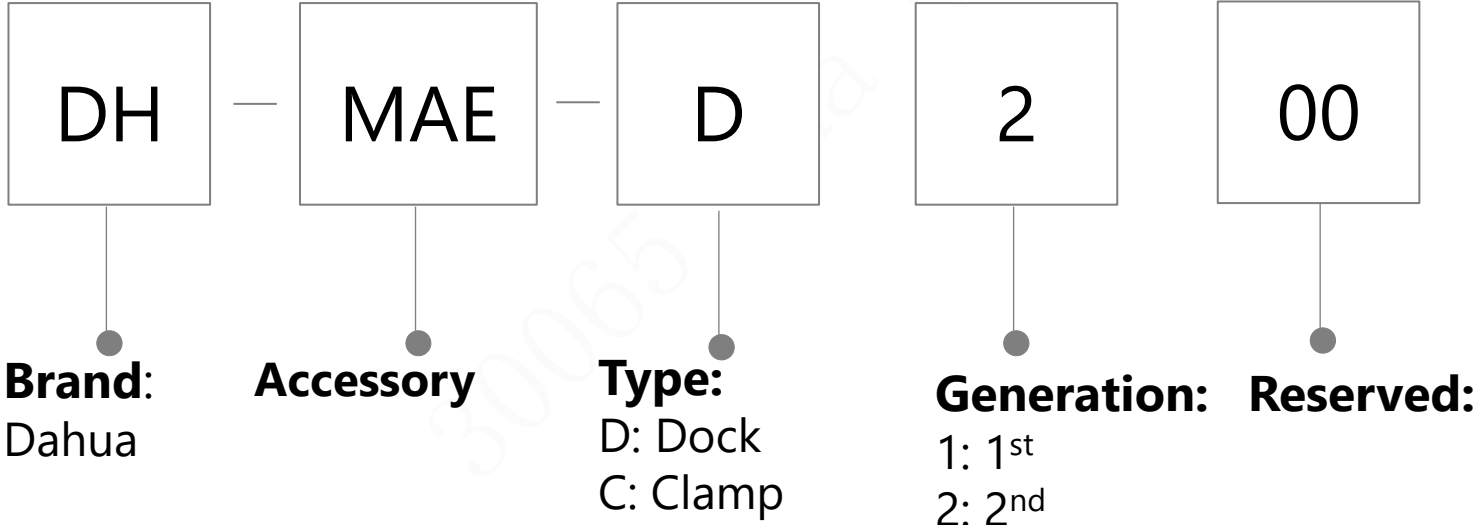
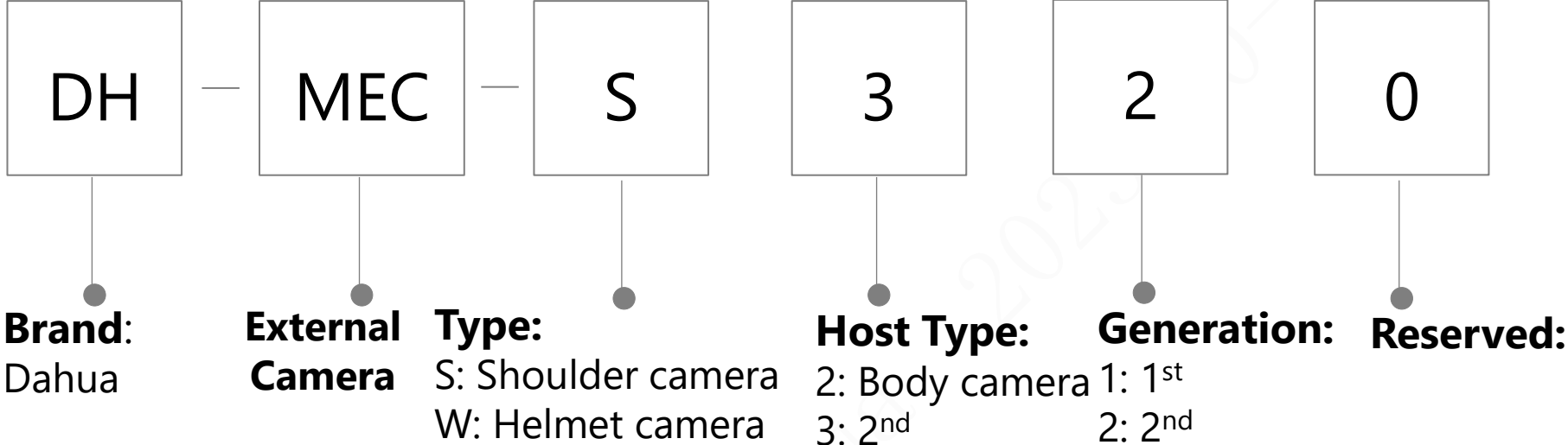


Brand:
Dahua

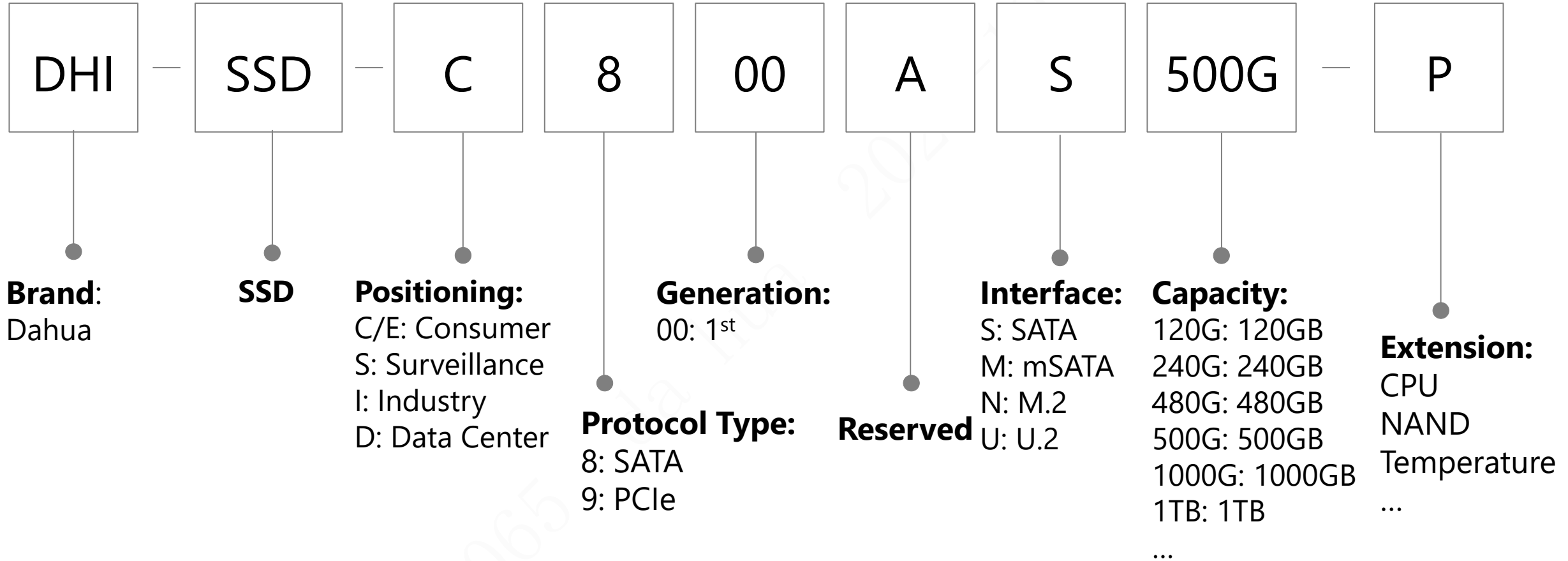
**Data
Collection
Station**

Generation: Reserved:

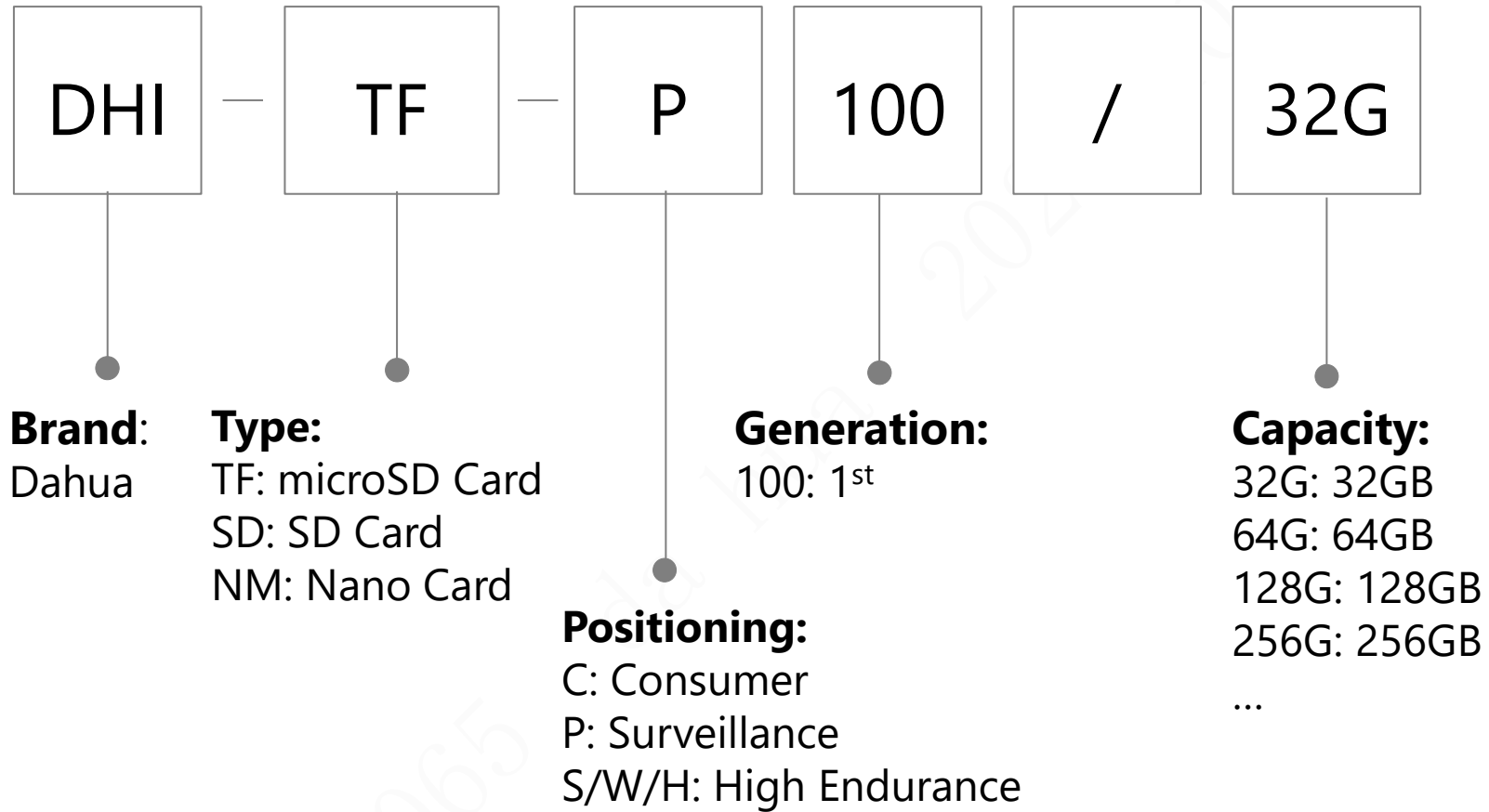
MPT



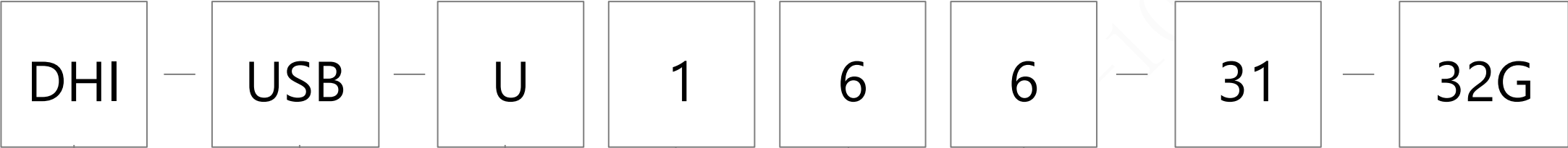
SSD



Memory Card



USB Flash Drivers



Brand:
Dahua

USB

Type:
U: Normal USB Drivers
P: 2-in-1 USB Drivers
S: Solid State USB Drivers

Reserved

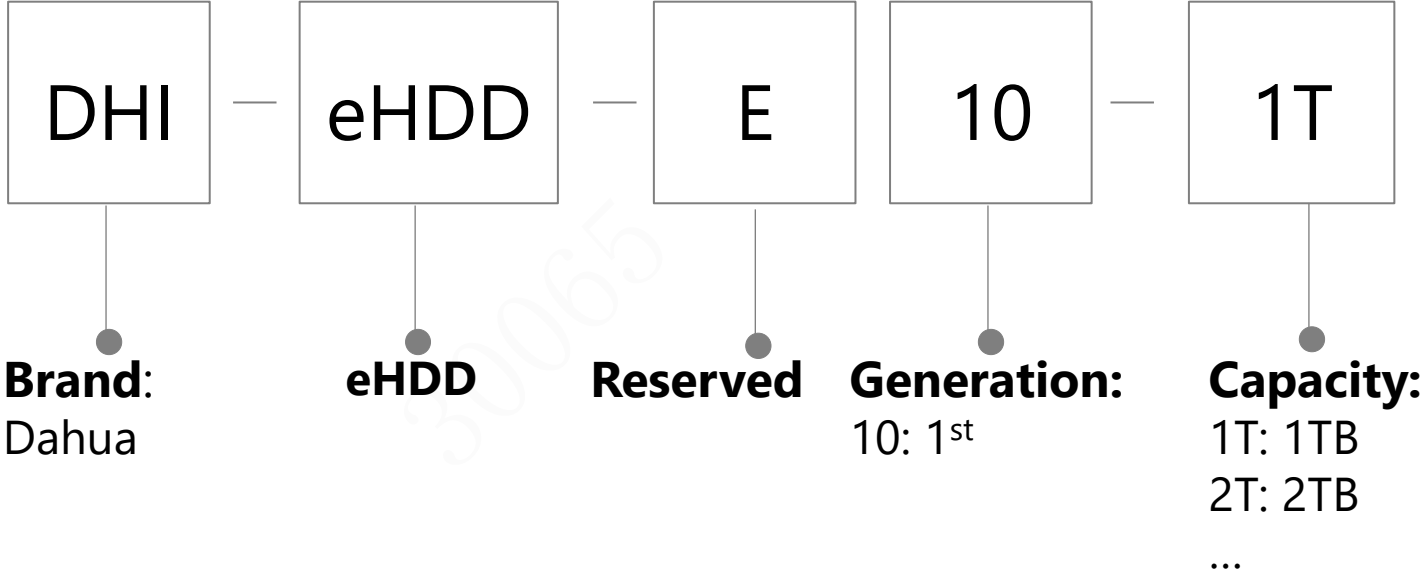
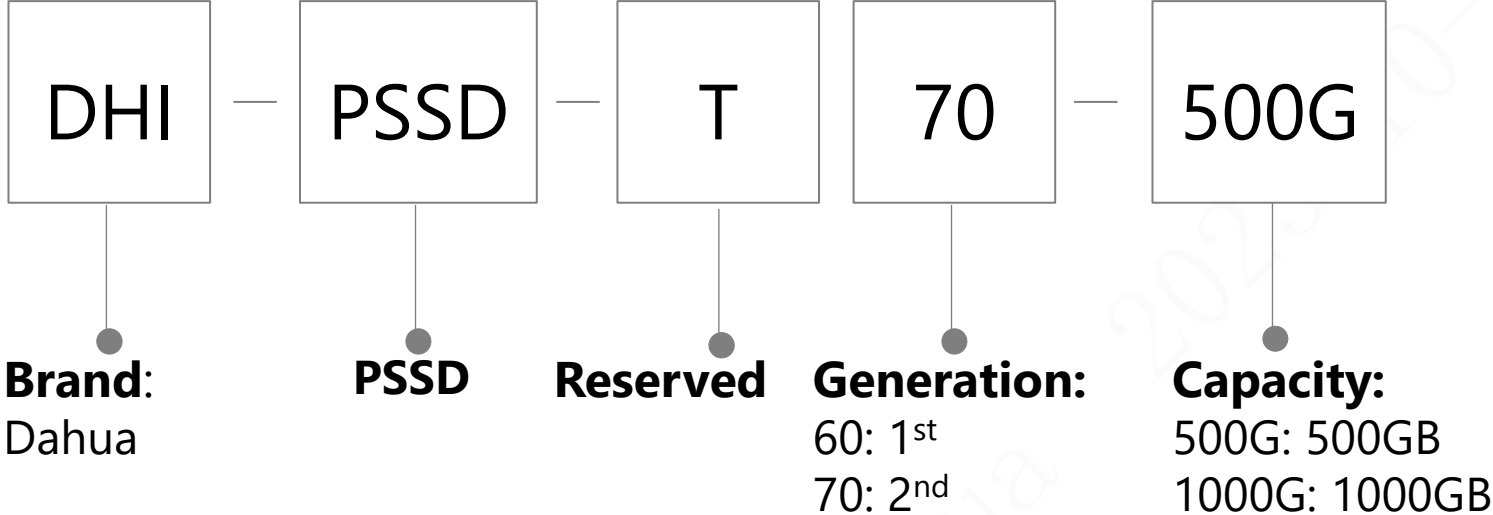
Shell

Reserved

Protocol:
20: USB 2.0
30: USB 3.0
31: USB 3.2 Gen1
32: USB 3.2 Gen2

Capacity:
8G: 8GB
16G: 16GB
32G: 32GB
64G: 64GB
128G: 128GB
256G: 256GB
...

PSSD & eHDD



DRAM



Brand:
Dahua

DRAM

Positioning :
C: Consumer

Protocol:
16: DDR3
30: DDR4

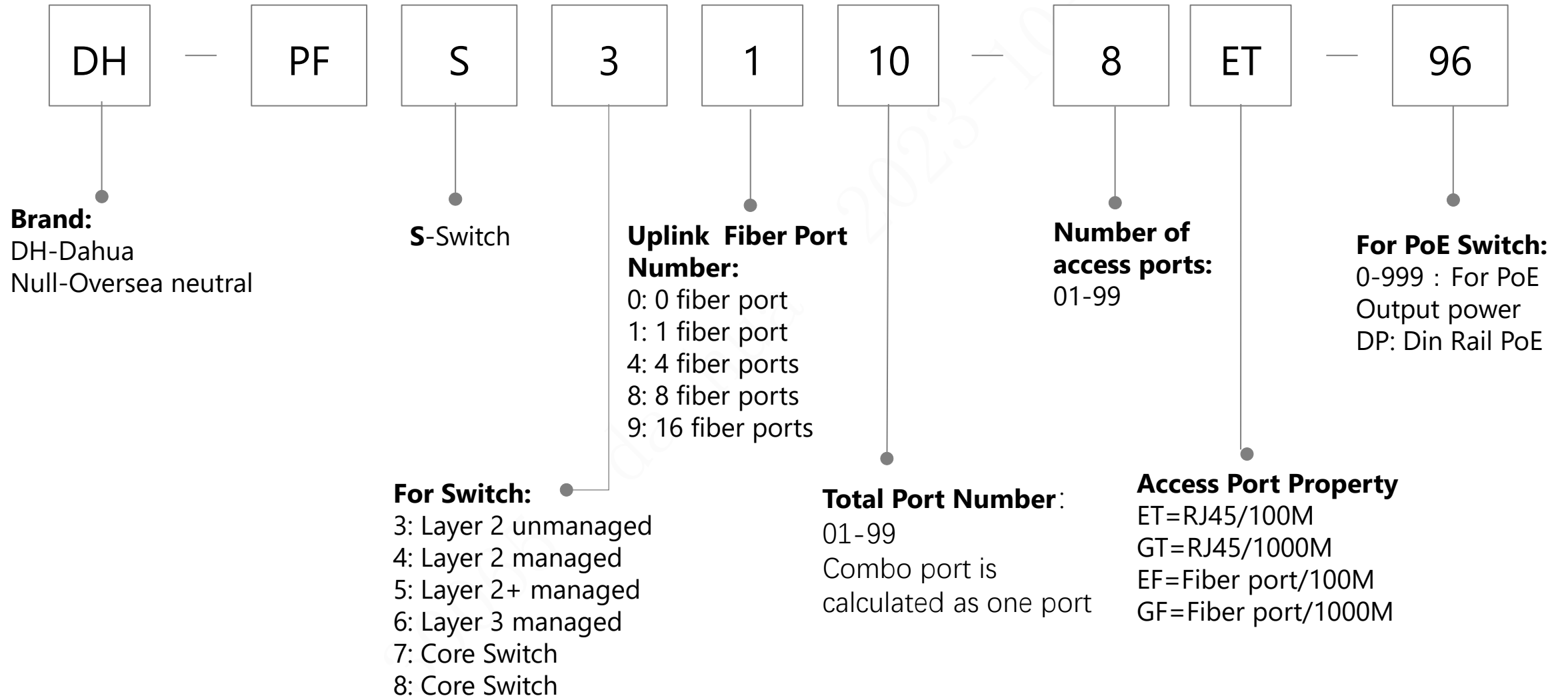
Reserved

Typel:
U: UDIMM
S: SODIMM

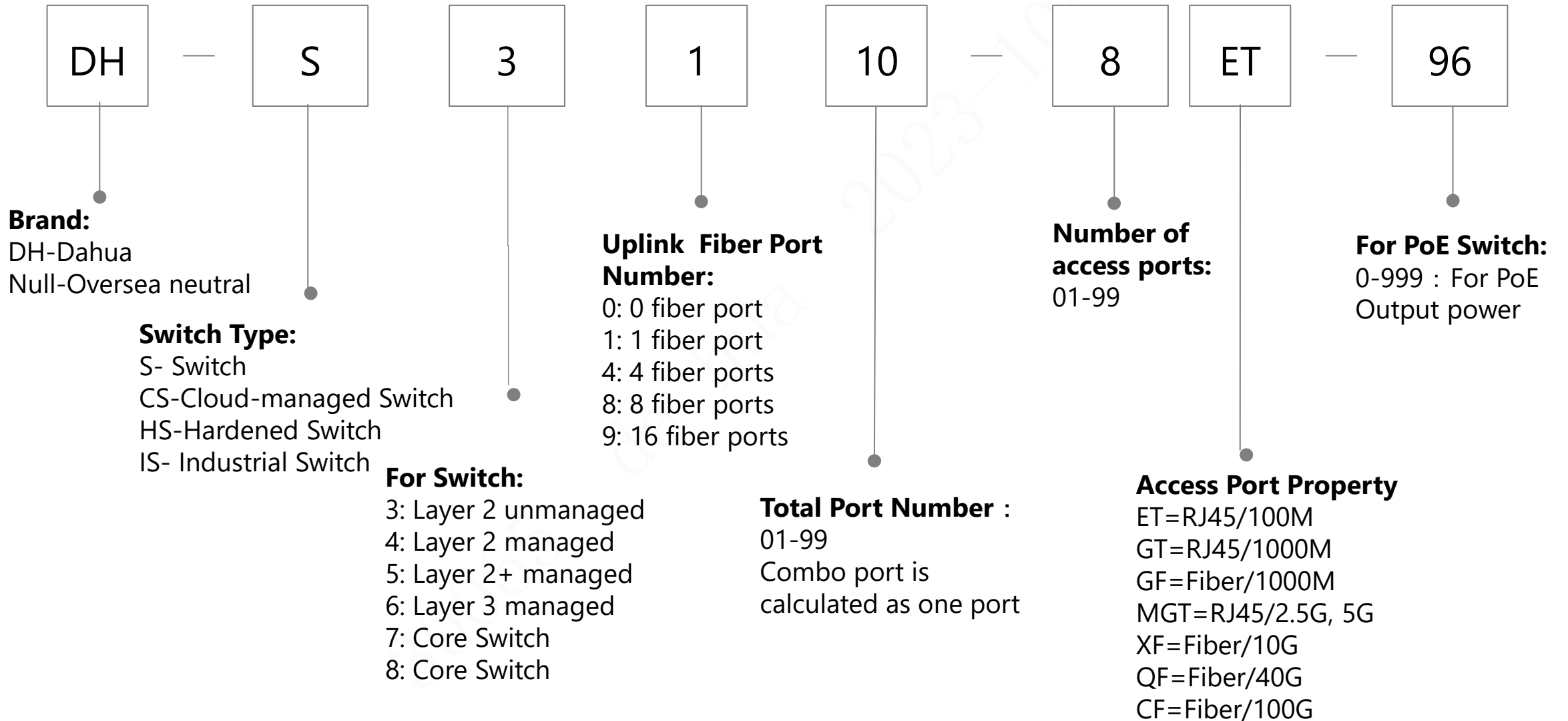
Capacity:
8G: 8GB
16G: 16GB
32G: 32GB

Frequency:
16: 1600MHz
26: 2666MHz
32: 3200MHz
...

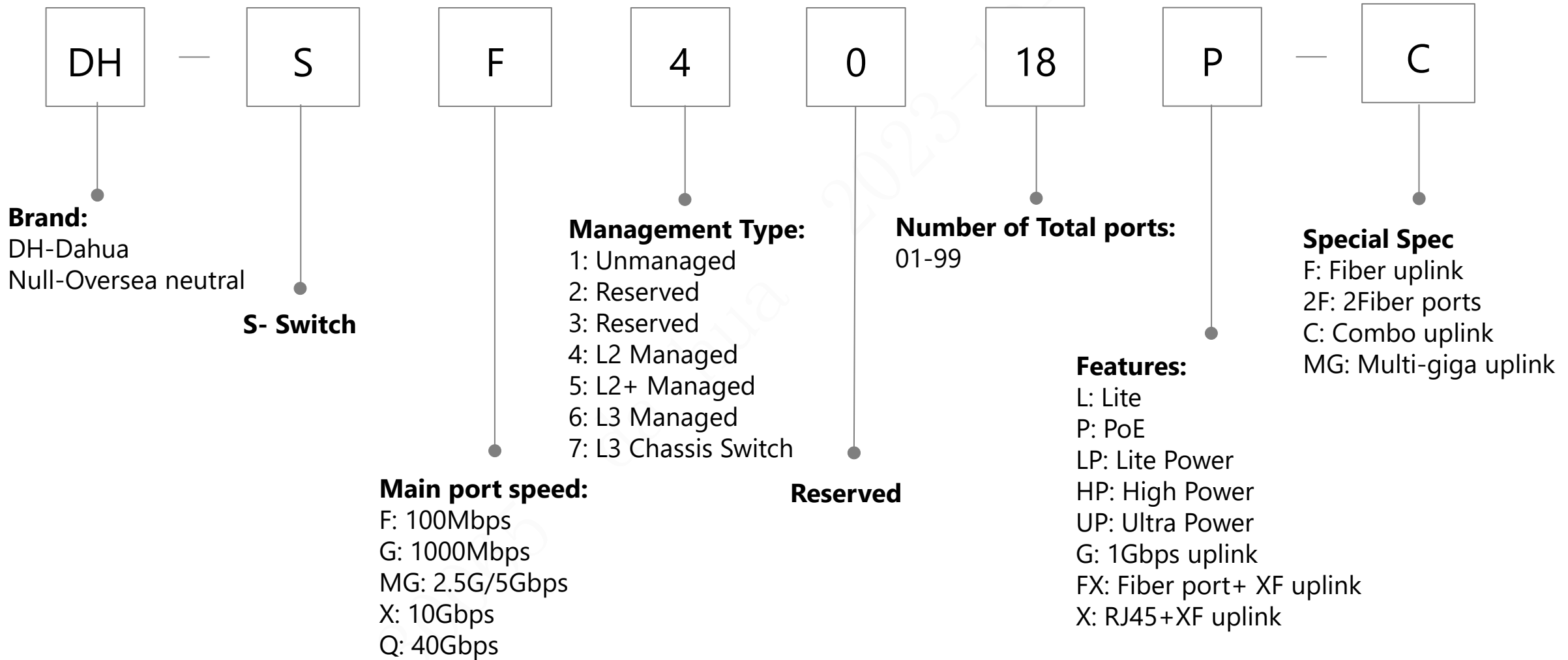
Switch



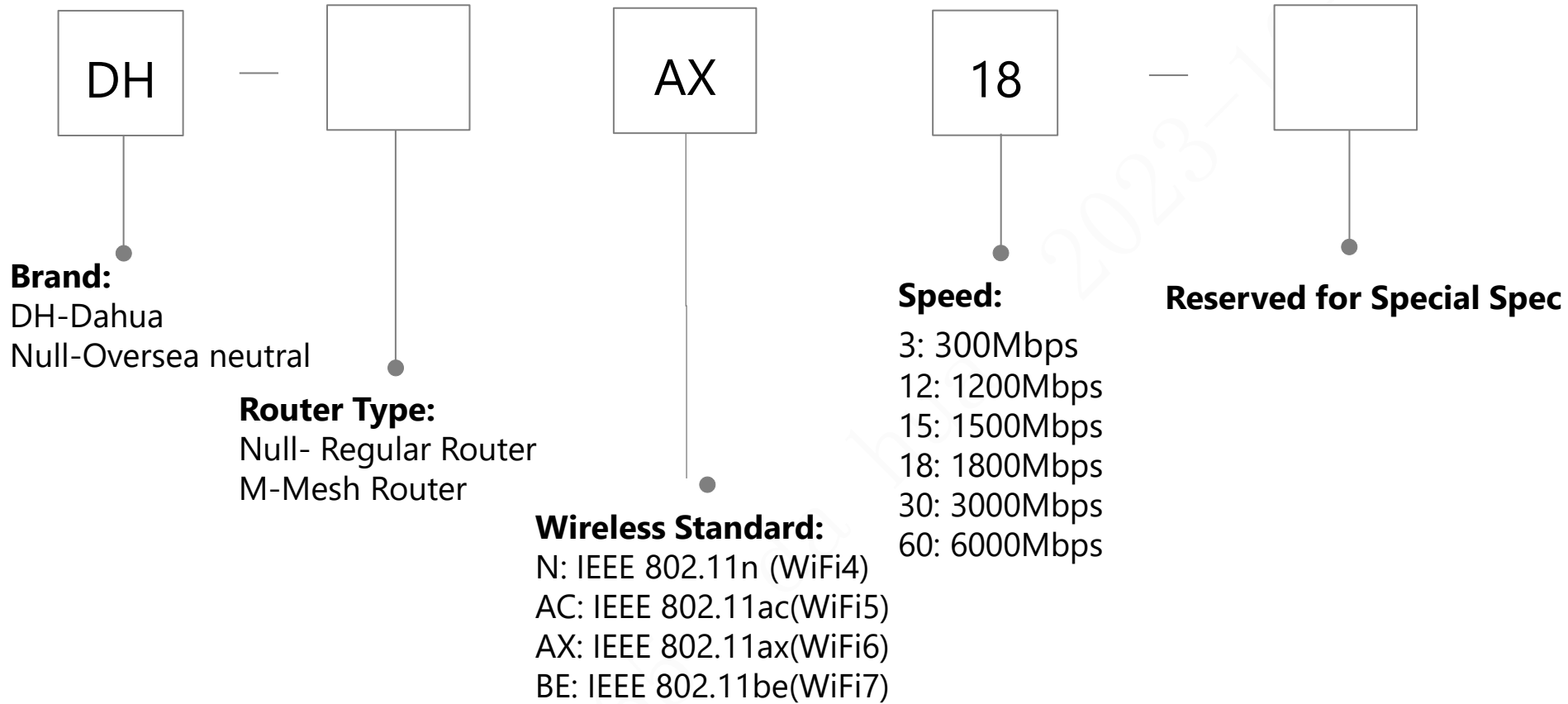
Switch(new, CCTV)



Switch(new, IT)

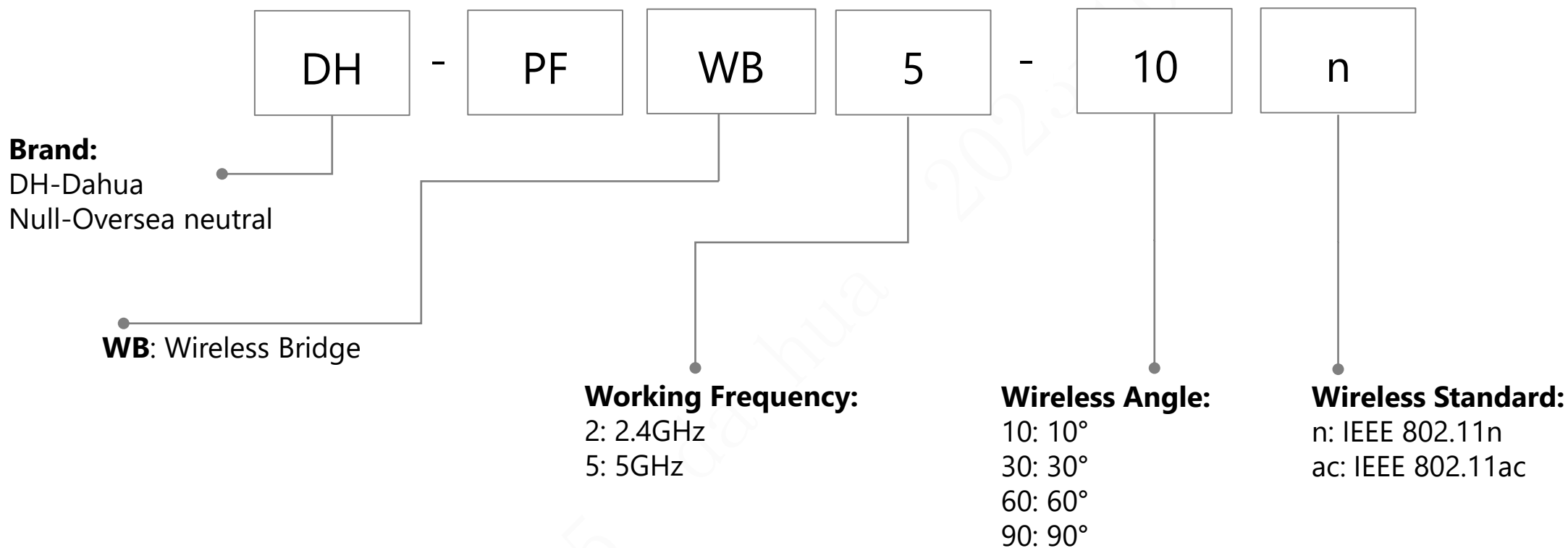


Wireless Router

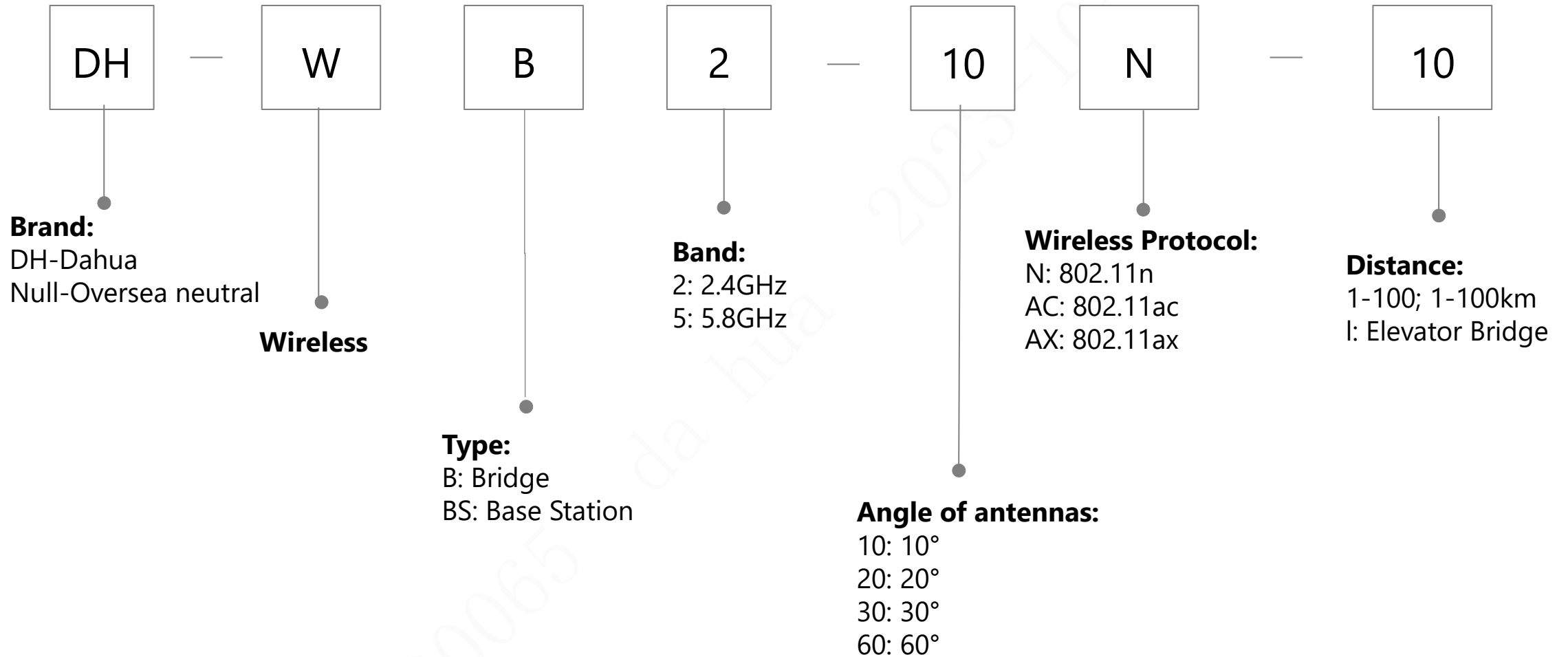


Wireless Bridge

—Only for V-Radio series wireless bridge



Wireless Bridge(new)



AP

DH

Brand:

DH-Dahua
Null-Oversea neutral

EAP

Series:

AWA: AWA
EAP: EAP
WAP: WAP

6

Wi-Fi Generation:

4: Wi-Fi 4, 802.11n
5: Wi-Fi 5, 802.11ac
6: Wi-Fi 6, 802.11ax

2

Stream:

2: 2x2
3: 3x3
4: 4x4

15

AWA:

Uplink Speed:

10: 100Mbps
20: 1000Mbps
30: 2.5Gbps

EAP&WAP:

Speed:

12: 1200Mbps
15: 1500Mbps
18: 1800Mbps
30: 3000Mbps
60: 6000Mbps

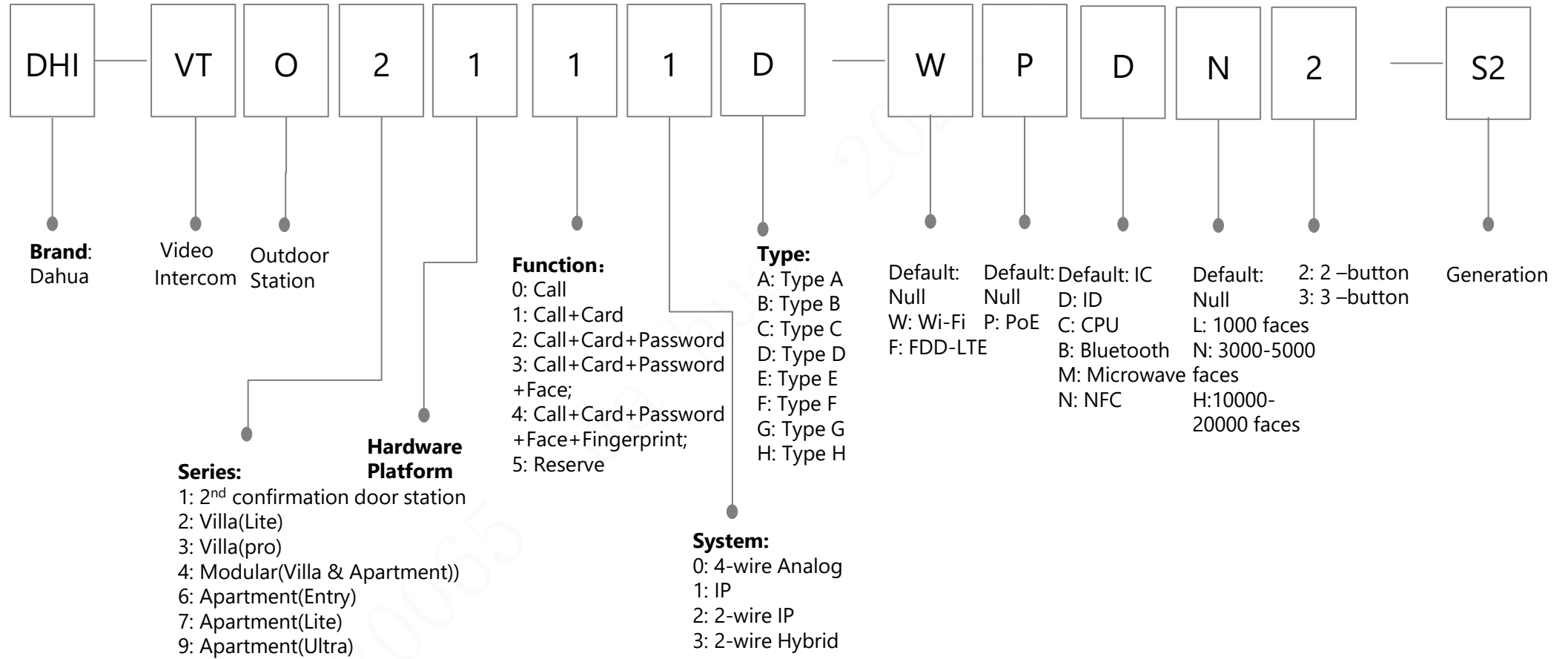
C

Method of Installation:

C: Ceiling
W: In-wall
D: Desktop
O: Outdoor

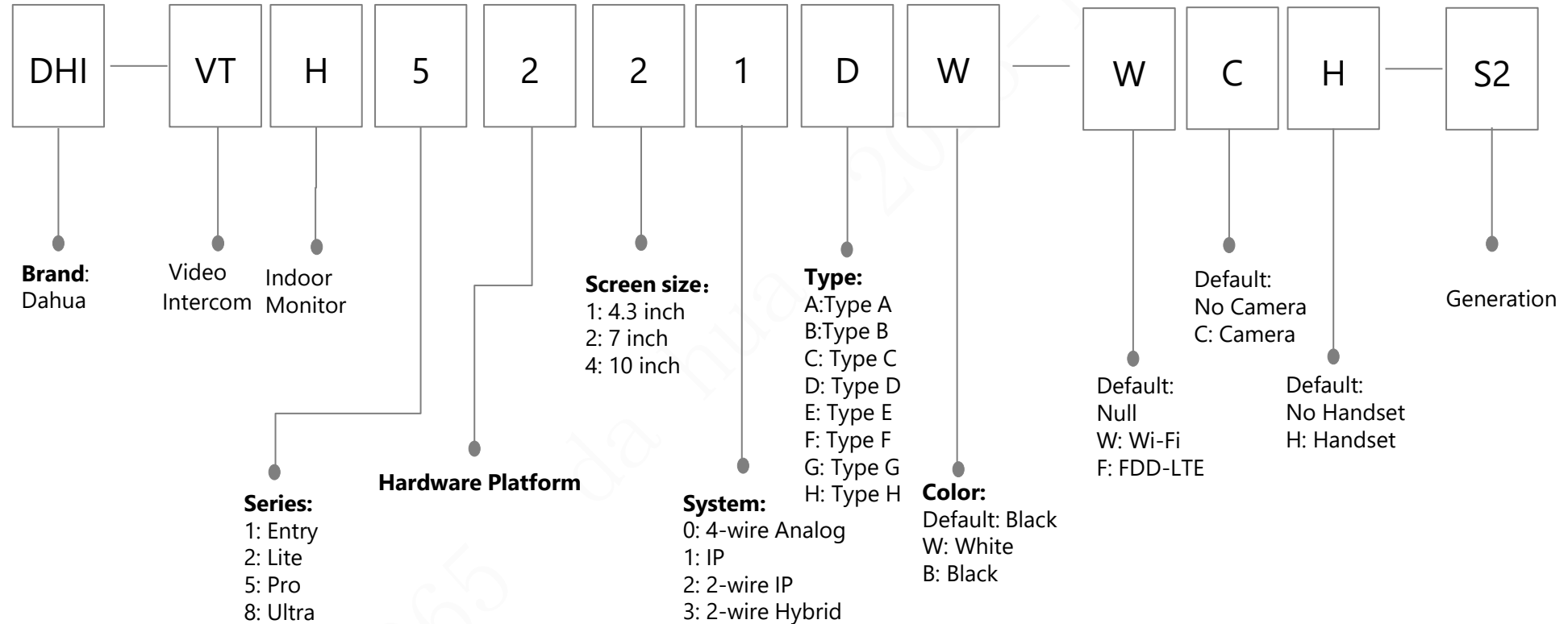
Video Intercom(Outdoor Station)

Notice: The naming rule is applicable to the products released after 2016



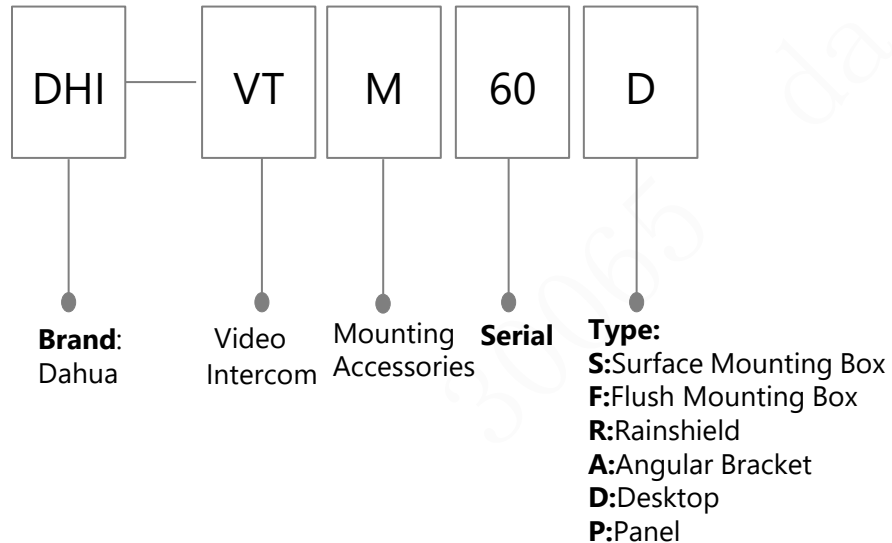
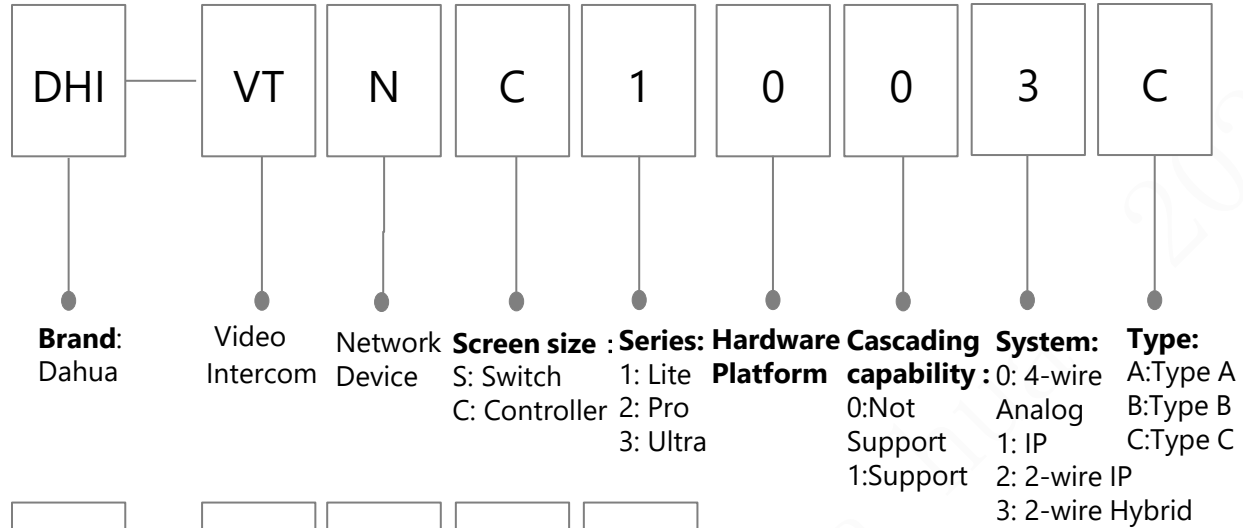
Video Intercom(Indoor Monitor)

Notice: The naming rule is applicable to the products released after 2016



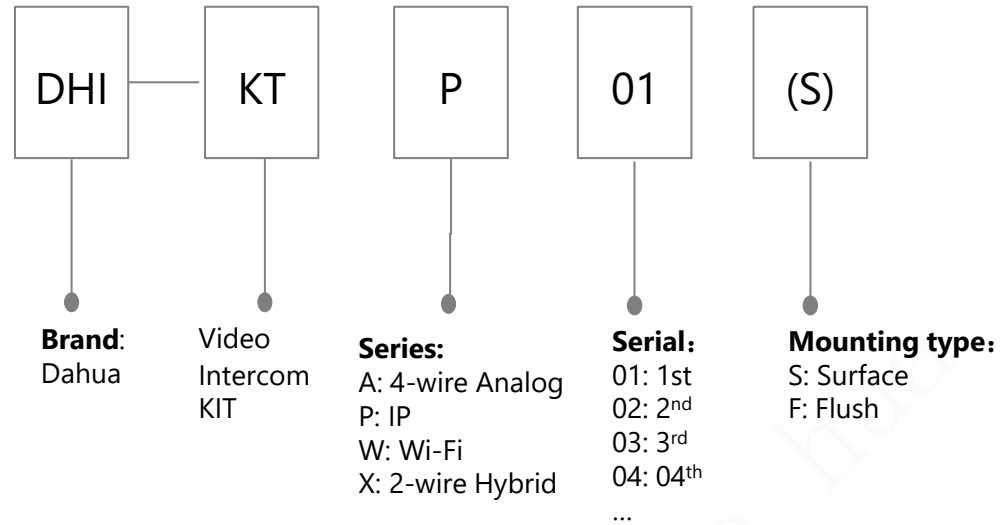
Video Intercom(Accessory)

Notice: The naming rule is applicable to the products released after 2021

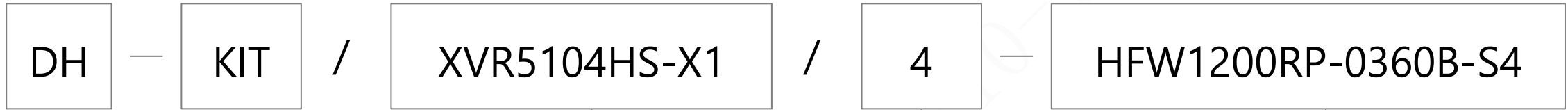


Video Intercom(KIT)

Notice: The naming rule is applicable to the products released after 2019



KIT



Storage Model:
NVR Series
HCVR Series

Camera Numbers:
2:two cameras
4:four cameras
8:eight cameras

Camera Model:
IPC Series
HDCVI Series



Storage Model:
NVR Series
HCVR Series

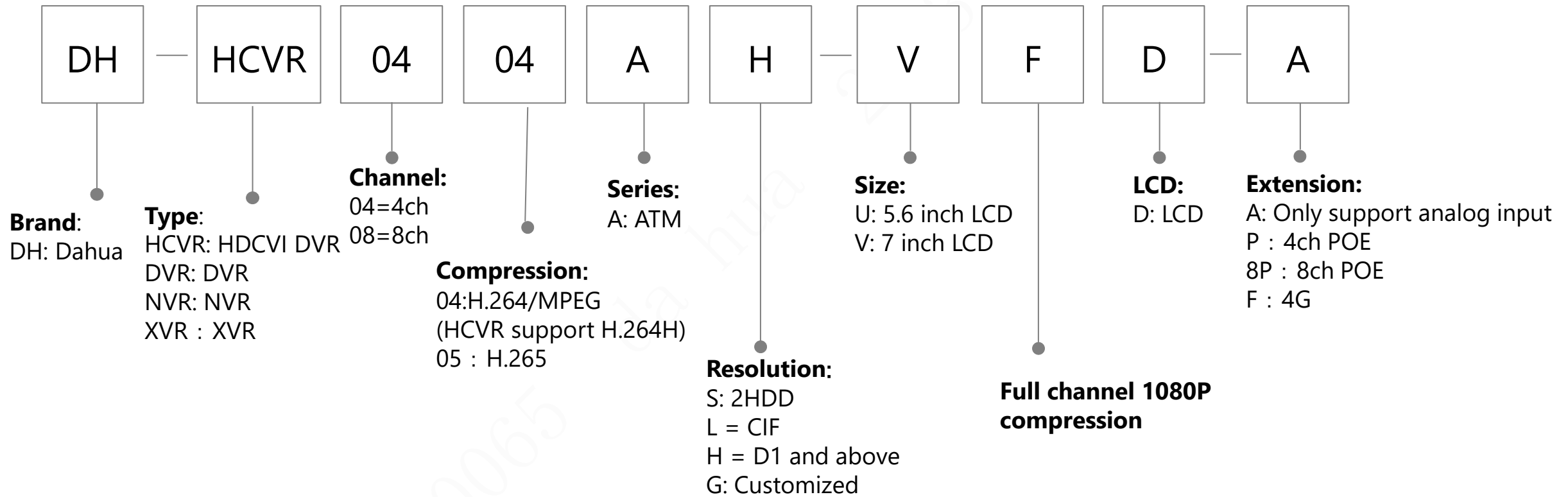
Camera Numbers:
2:two cameras
4:four cameras
8:eight cameras

Camera Model:
IPC Series
HDCVI Series

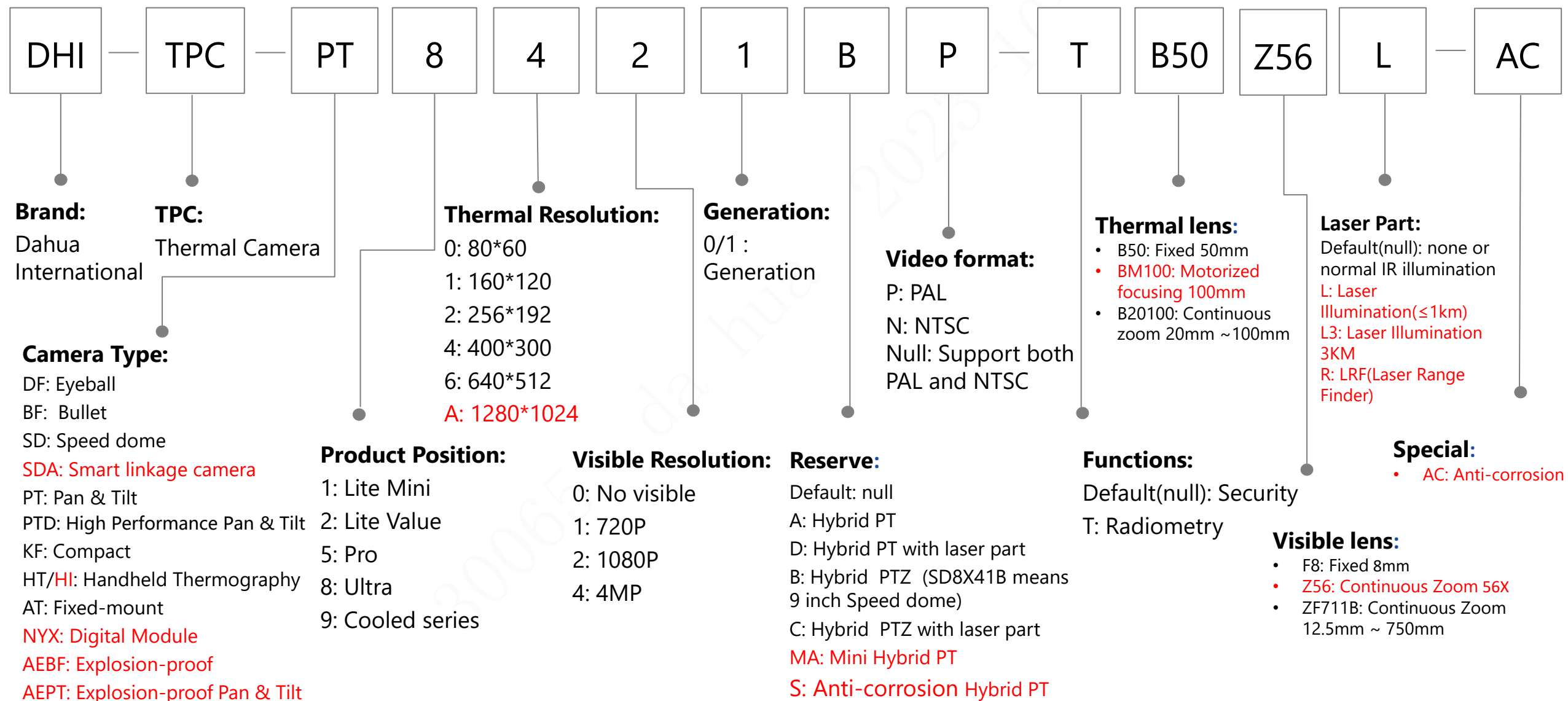
Camera Numbers:
2:two cameras
4:four cameras
8:eight cameras

Camera Model:
IPC Series
HDCVI Series

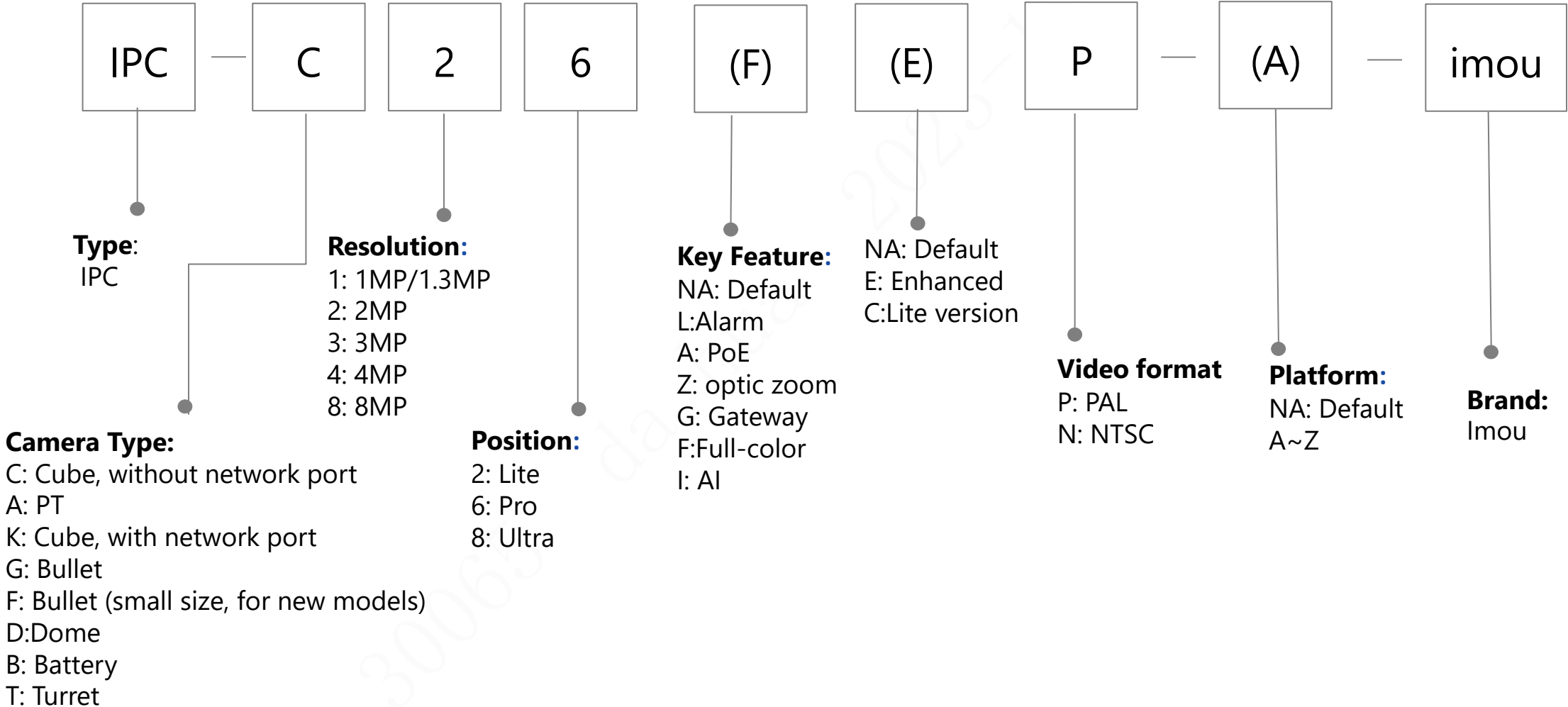
ATM DVR/NVR



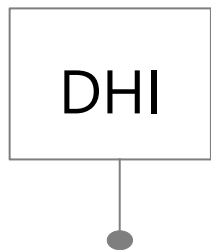
Thermal Camera



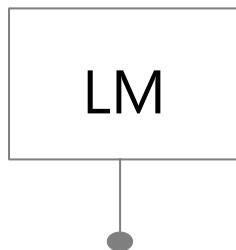
Consumer Camera



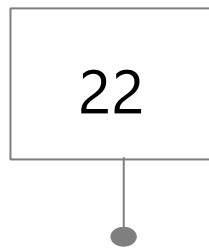
Monitor-CCTV



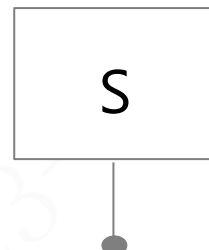
Brand:
Overseas Dahua



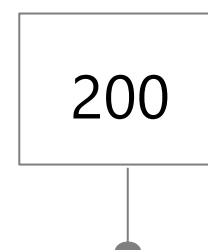
LED Monitor



Size:
17: 17"
19: 19"
22: 22"
.....
98: 98"



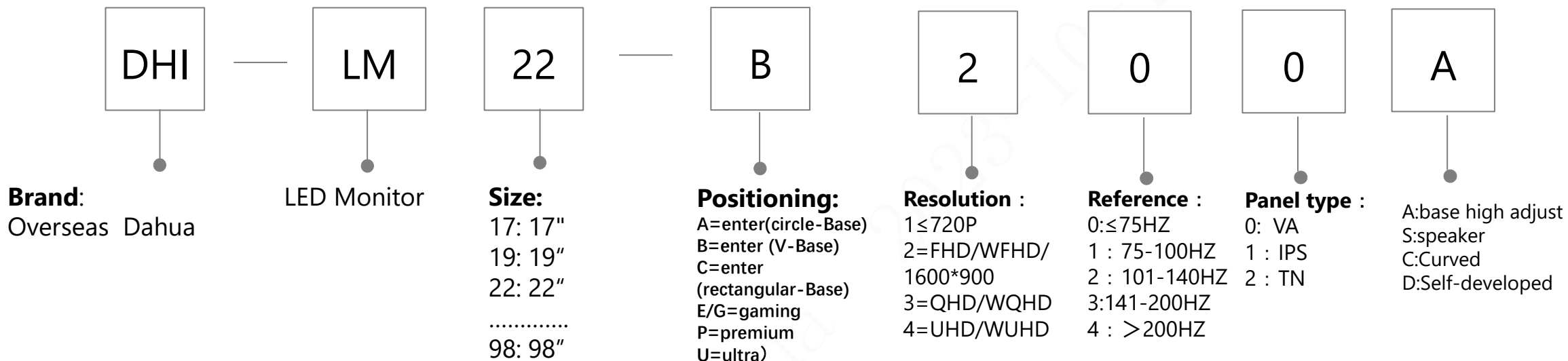
Positioning:
S=High-end model (metal casing, high protection)
F=Main model (plastic shell, wide viewing angle)
L=Entry model (plastic case, narrow viewing angle)
B=Business Office (Commercial Series)
D=Online
H=Security (molded case, high protection, downward exit with BNC)
V=Project Reserved



Resolution : 100 < 1080P
200=1080P
300=3k
400=4K
500=5K
600=6K
800=8K

CCTV监视器外部型号命名规则											
		必填		必填		必填		必填	必填	必填	
	字段号	①		②		③		④	⑤	⑥	⑦
	标识	公司标识		产品线标识		尺寸标识		场景类别	分辨率	子系列	预留
	实例	DH	-	LM	-	22	-	S	200	缺省/A-Z	/
液晶监视器产品 (监视器)	说明	DH=大华品牌 DHI=海外大华品牌 缺省=中性		LM=液晶监视器 OM=OLED液晶监视器 QM=QLED液晶监视器 CM=曲面监视器 LI=拼接监视器		17=尺寸信息17寸 19=尺寸信息19寸 22=尺寸信息22寸 98=尺寸信息98寸		S=高端款 (金属外壳、高防护) F=主推款 (塑壳, 宽视角) L=入门款 (塑壳, 窄视角) B=商用办公 (Commercial Series专用) D=线上专用 H=安防专用 (塑壳, 高防护, 下出, 带BNC) V=项目预留	100 < 1080P 200=1080P 300=3k 400=4K 500=5K 600=6K 800=8K	同类产品可用一位字母表示子系列	/

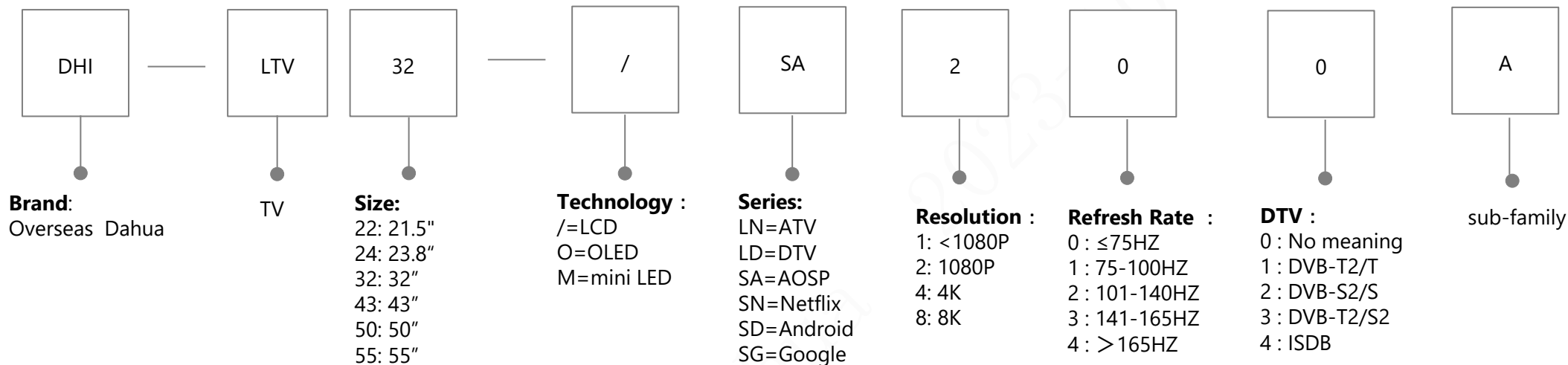
Monitor-IT



IT显示器外部型号命名规则

	必填		必填	必填		必填	必填	必填	必填	必填
字段号	①		②	③		④	⑤	⑦	⑥	⑧
标识	公司标识		产品线标识	尺寸标识		系列	分辨率	刷新率	面板类型	功能外观定义
实例	DHI	-	LM	22	-	A	2	0	0	缺省/A-Z
说明	DH=大华品牌 DHI=海外大华品牌 缺省=海外中性 N=国内中性		LM=显示器	17=尺寸信息17寸 19=尺寸信息19寸 22=尺寸信息22寸 98=尺寸信息98寸		A=入门显示器 (圆形底座, 仅流量机型以底座区分) B=入门显示器 (V型底座) C=入门显示器 (方型底座) E/G=电竞专用 (gaming) P=中端系列 (premium) U=高端系列 (ultra)	1≤720P 2=FHD/WFHD/1600*900 3=QHD/WQHD 4=UHD/WUHD	0:≤75HZ 1: 75-100HZ 2: 101-140HZ 3:141-200HZ 4: > 200HZ	0: VA 1: IPS 2: TN	主推款默认缺省; 同类产品可用一位字母表示子系列; A-带升降支架 S-带speaker C-曲面 D-自研

TV

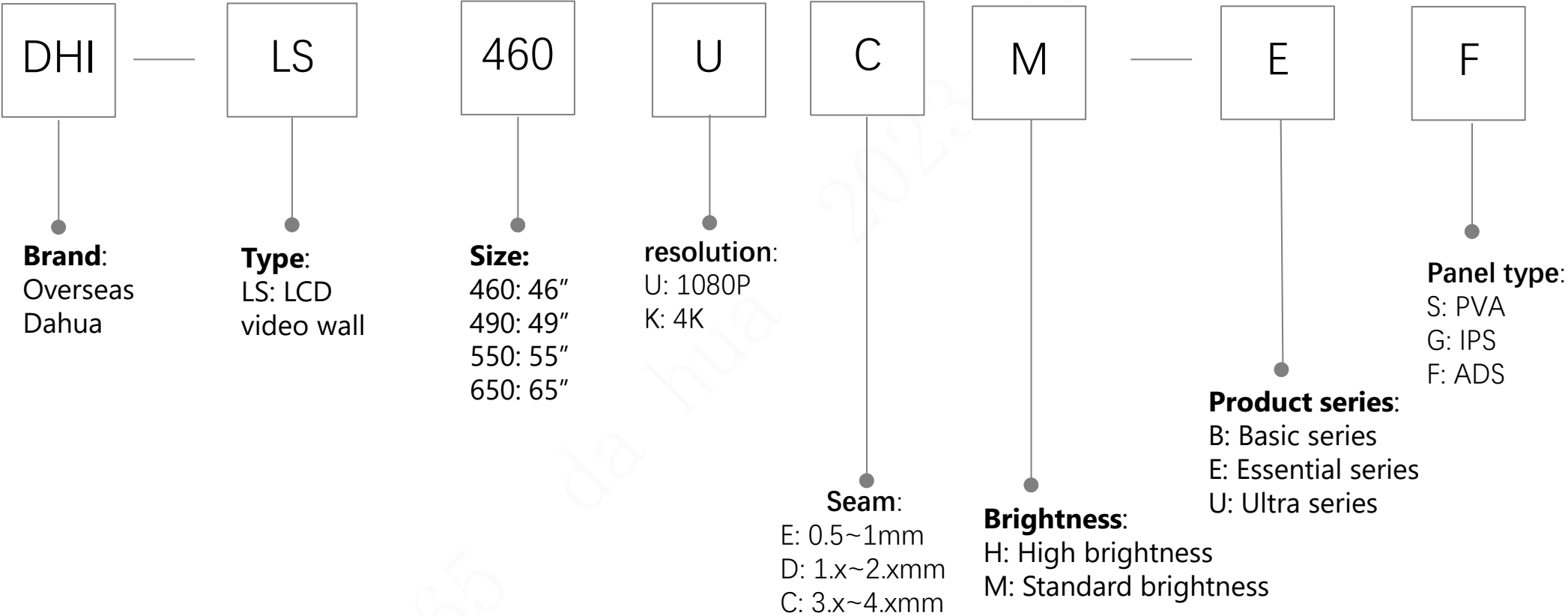


电视机外部型号命名规则

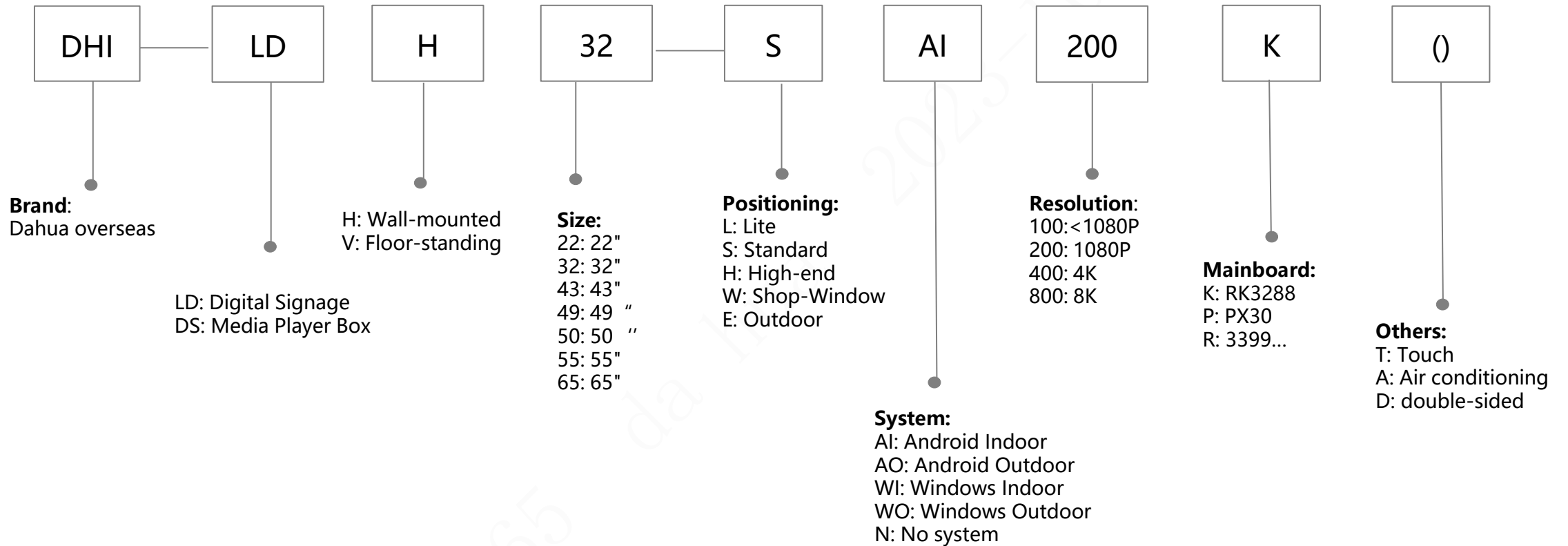
	必填		必填	必填		选填	必填	选填 (D/G必填)	必填	必填	必填	选填
字段号	①		②	③		④	⑤	⑥	⑦	⑧	⑨	⑩
标识	公司标识		产品线标识	尺寸标识		技术	性能	系列名称	分辨率	刷新率	制式	缺省
实例	DHI	-	LTV	32	-	/	SA	/	2	0	0	
说明	DH=大华品牌 DHI=海外大华品牌 FSI=丰视海外 H=国内中性 缺省=海外中性		LTV=电视机	17=尺寸信息17寸 19=尺寸信息19寸 22=尺寸信息22寸 98=尺寸信息98寸		/=LCD O=OLED M=mini LED	LN=模拟ATV LD=数字DTV SA=智能 (AOSP) SN=智能 (Linux+Netflix) SD=智能 (Android) SG=智能 (Google)		1≤720P 2=FHD/WFHD/1600*900 3=QHD/WQHD 4=UHD/WUHD	0:≤75HZ 1: 75-100HZ 2: 101-140HZ 3:141-165HZ 4: > 165HZ	0-无含义 1-DVB-T2/T 2-DVB-S2/S 3-DVB-T2/S2 4-ISDB	

DHI-LTV32- SA200

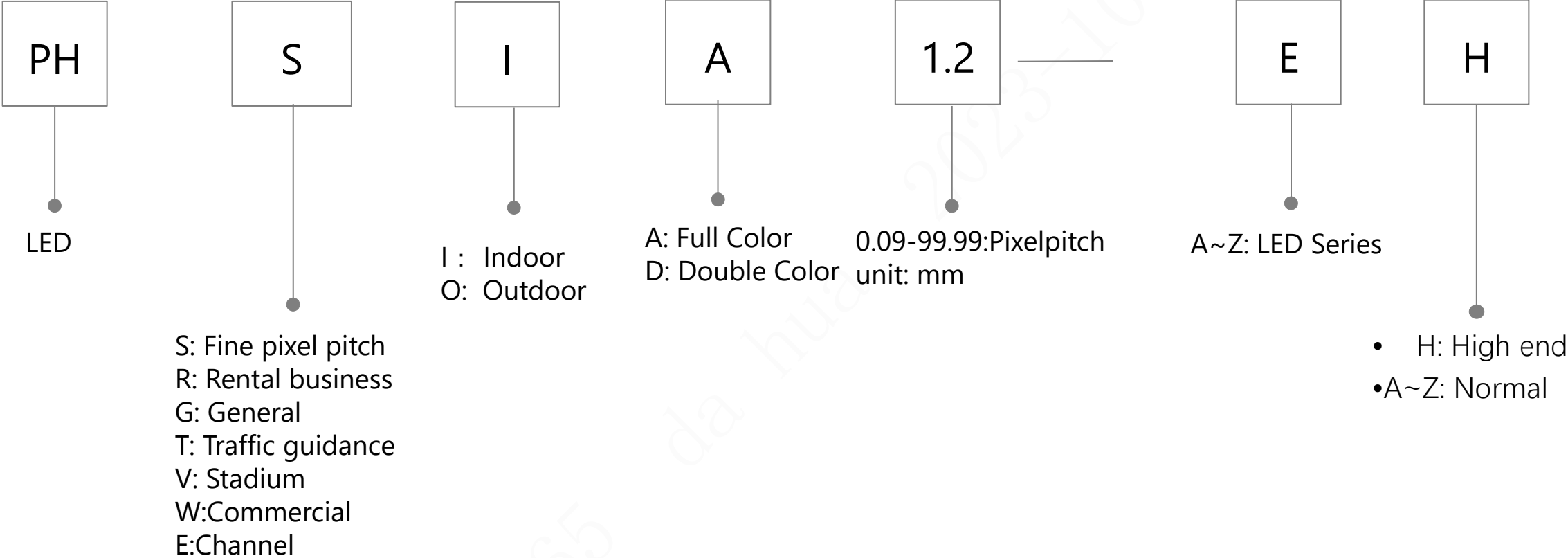
LCD Video Wall



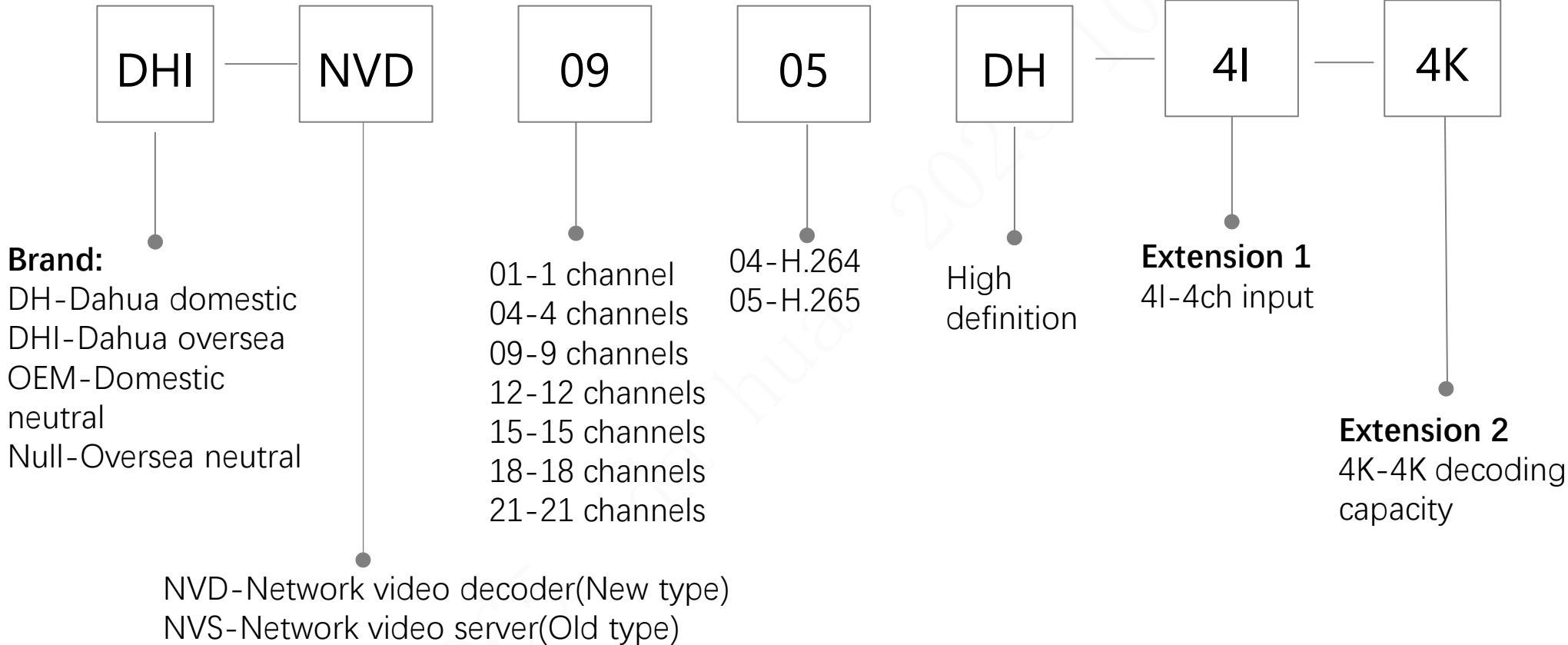
DIGITAL SIGNAGE



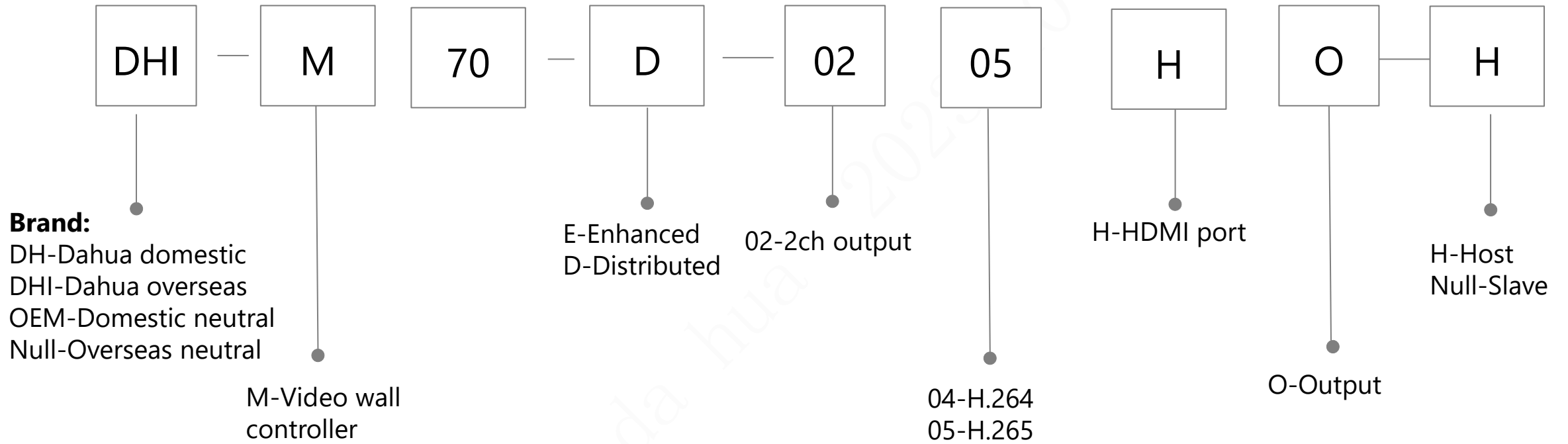
LED Display



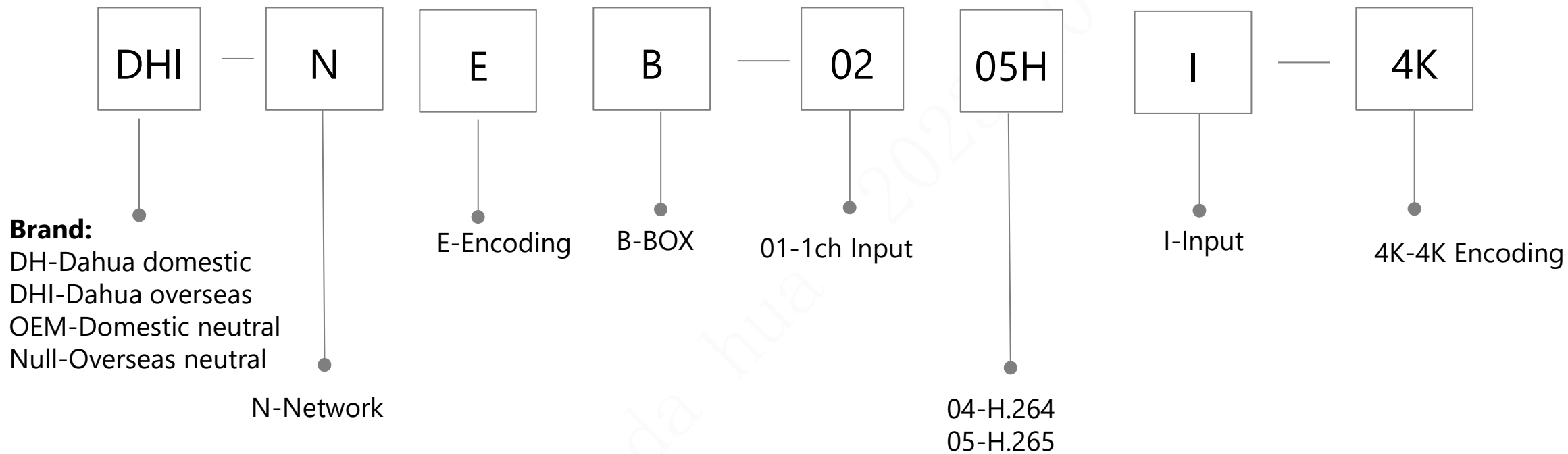
Decoder



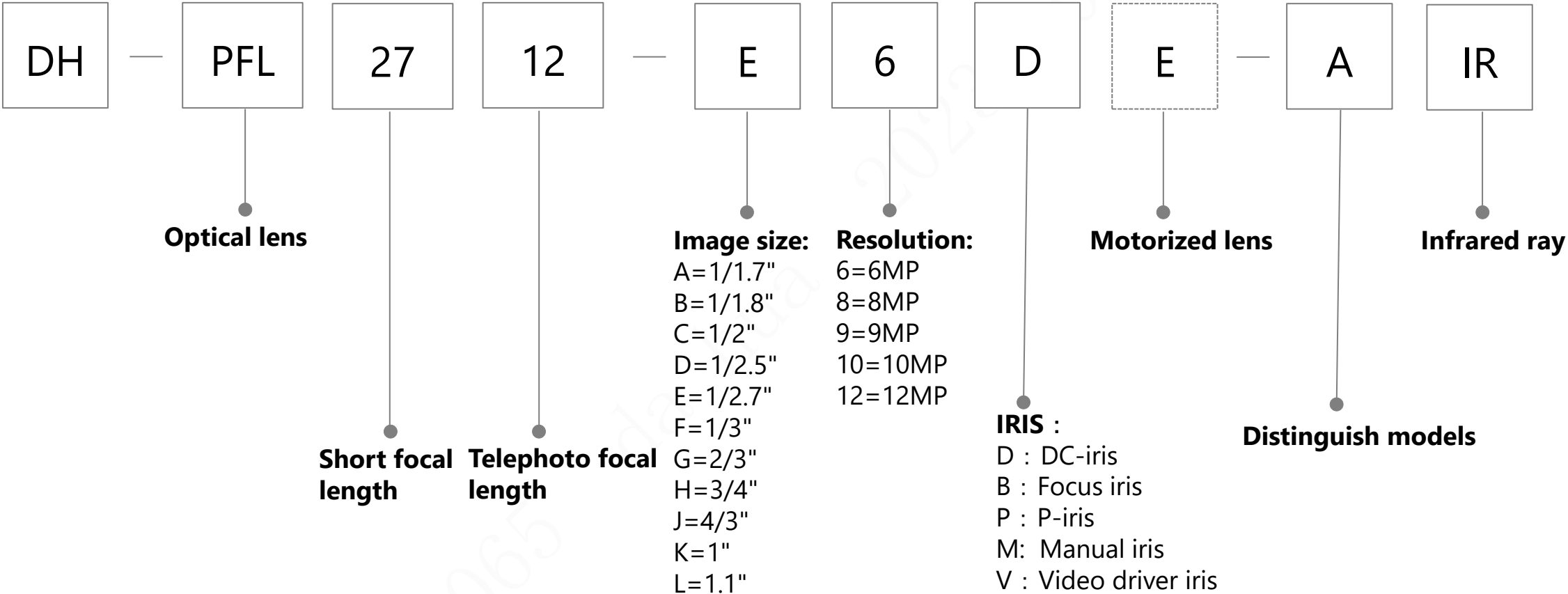
Video wall controller



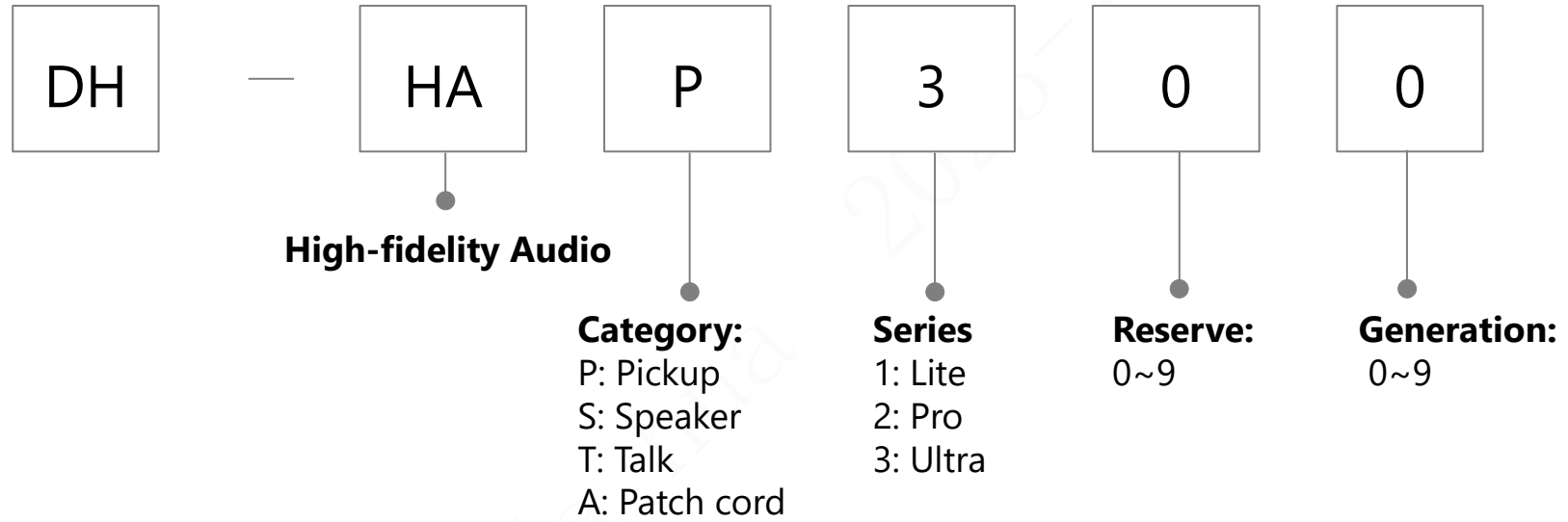
Video wall controller



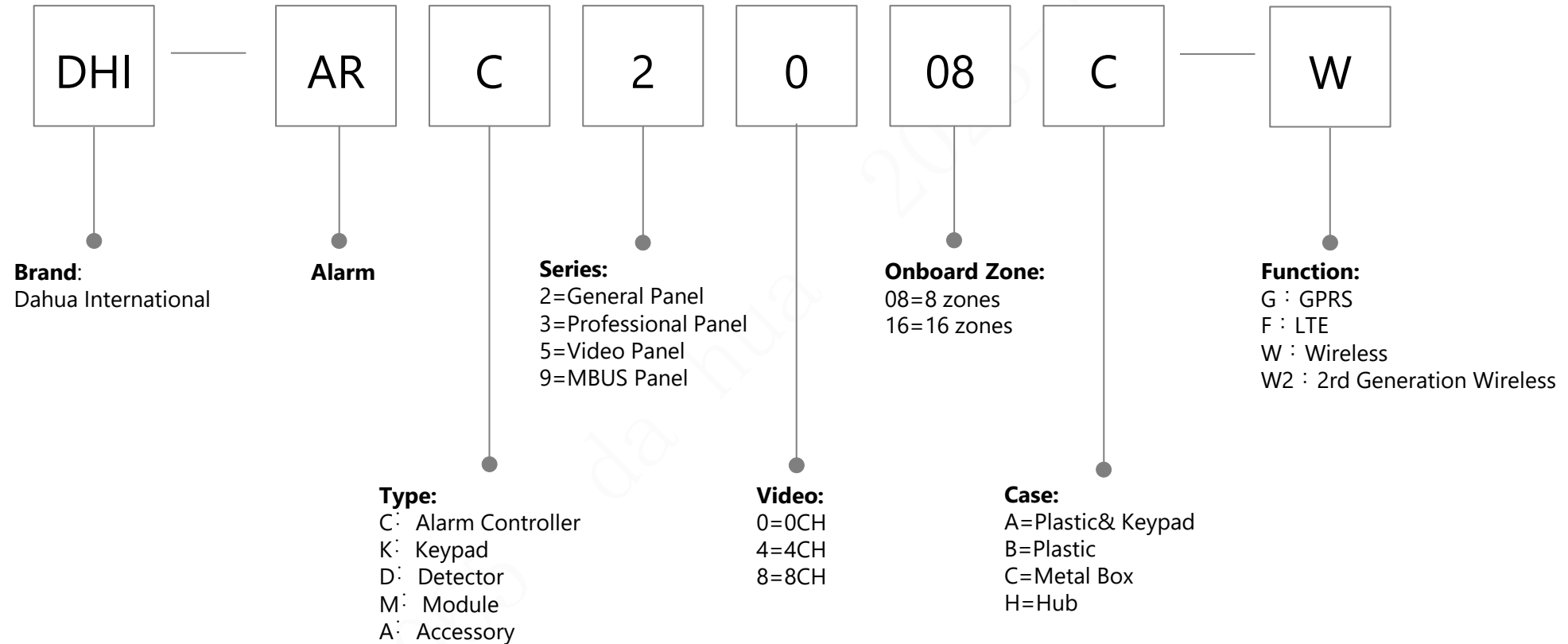
Public Lens (new)



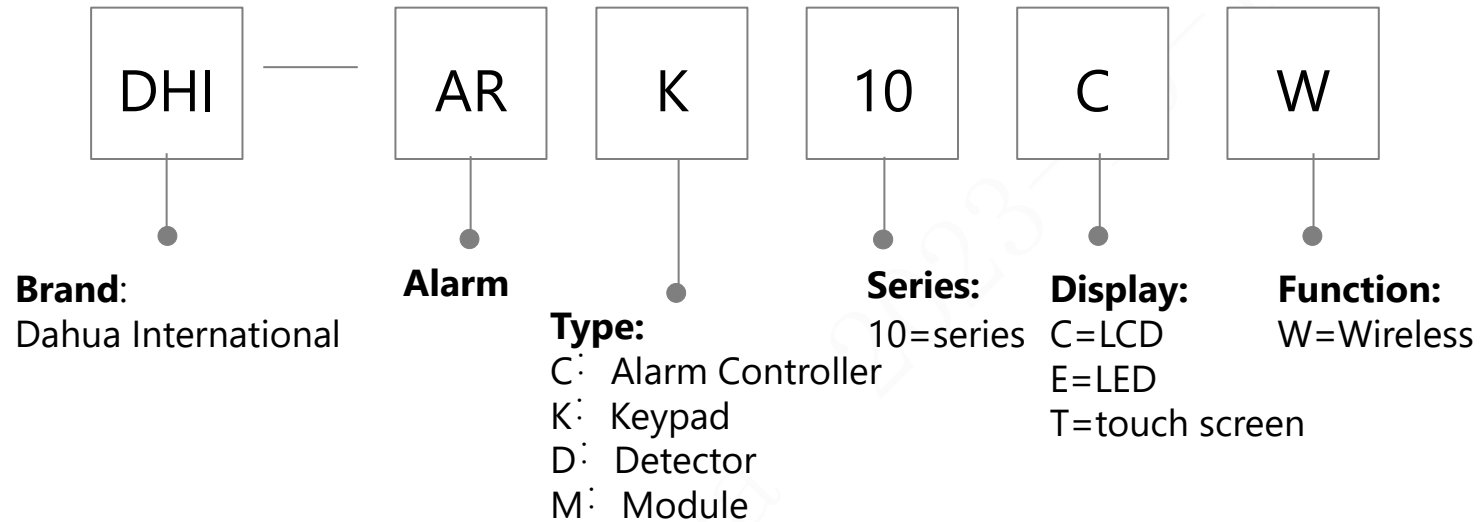
Audio



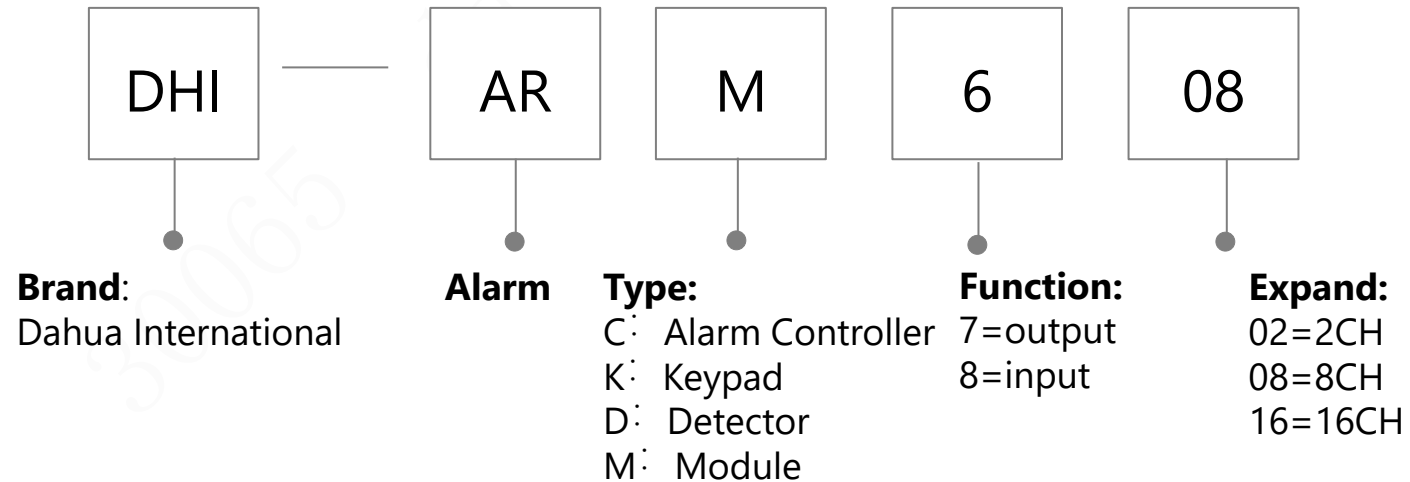
Alarm (Controller)



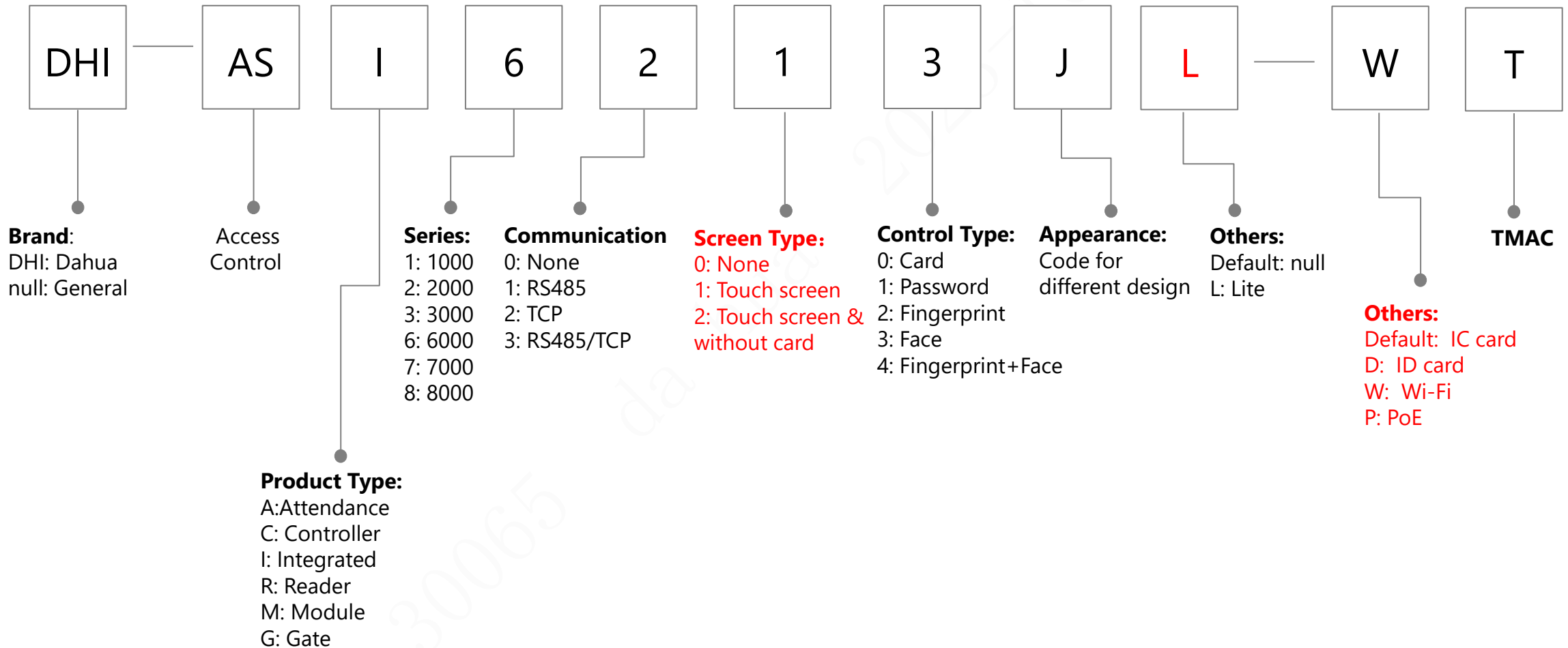
Alarm (Keypad)



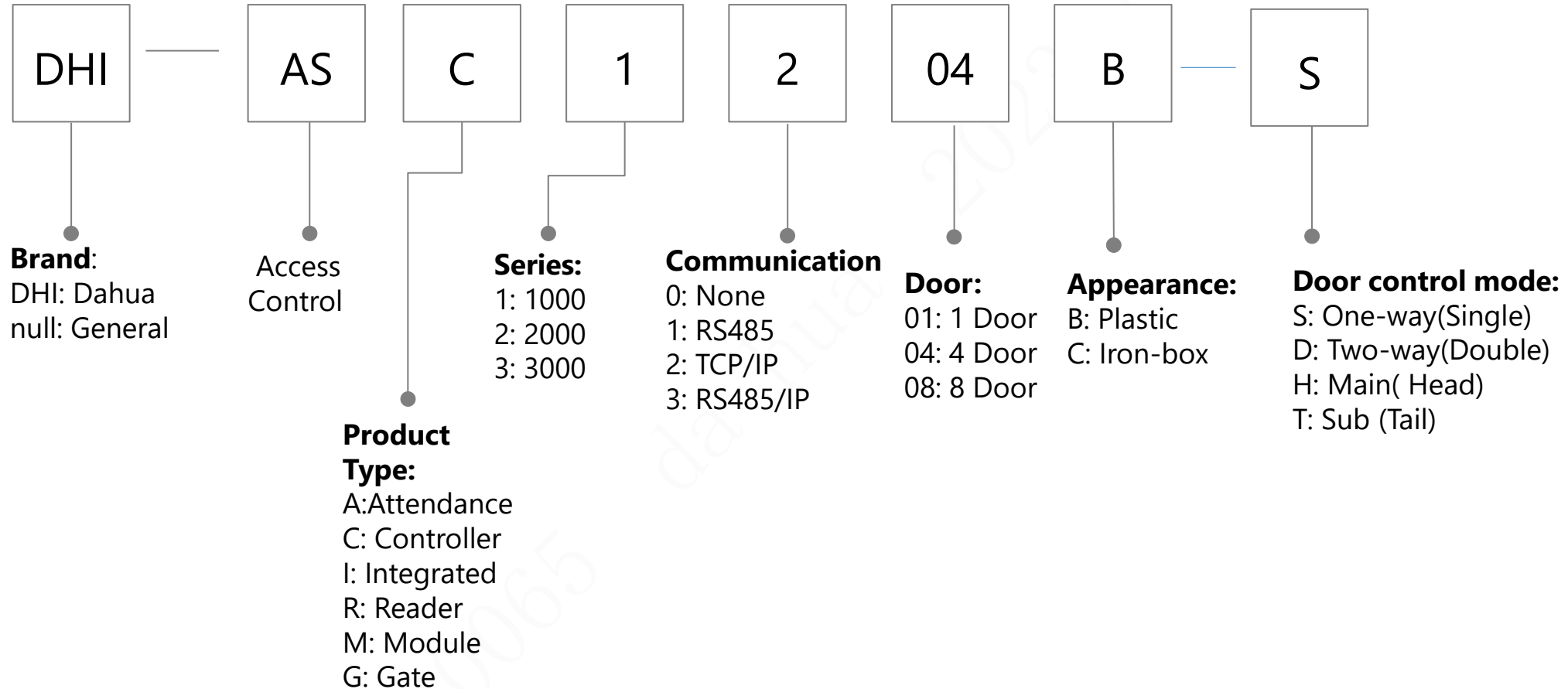
Alarm (Module)



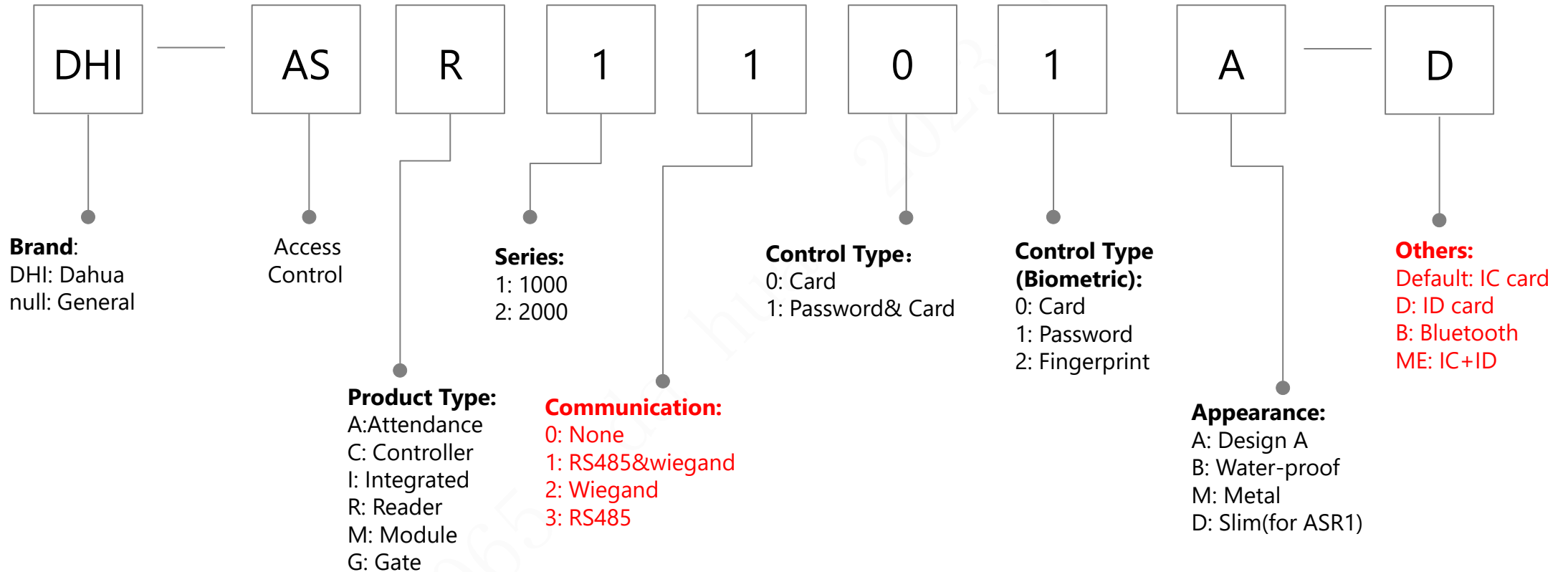
Access Control (Integrated)



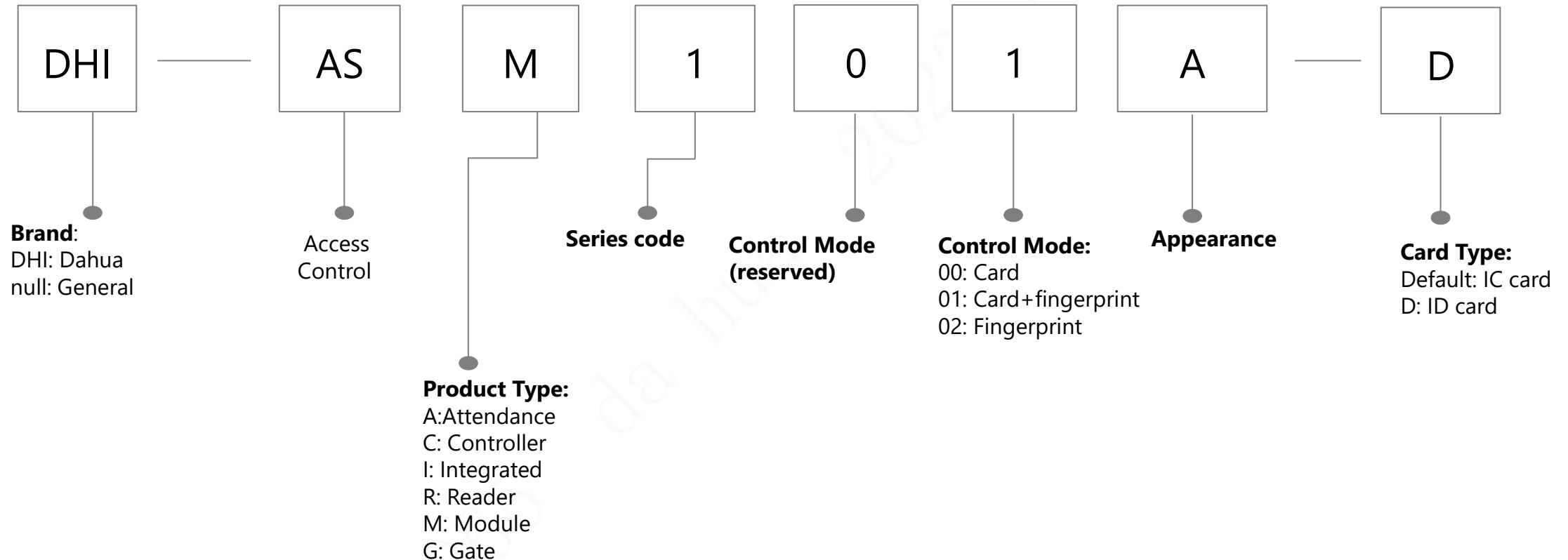
Access Control (Controller)



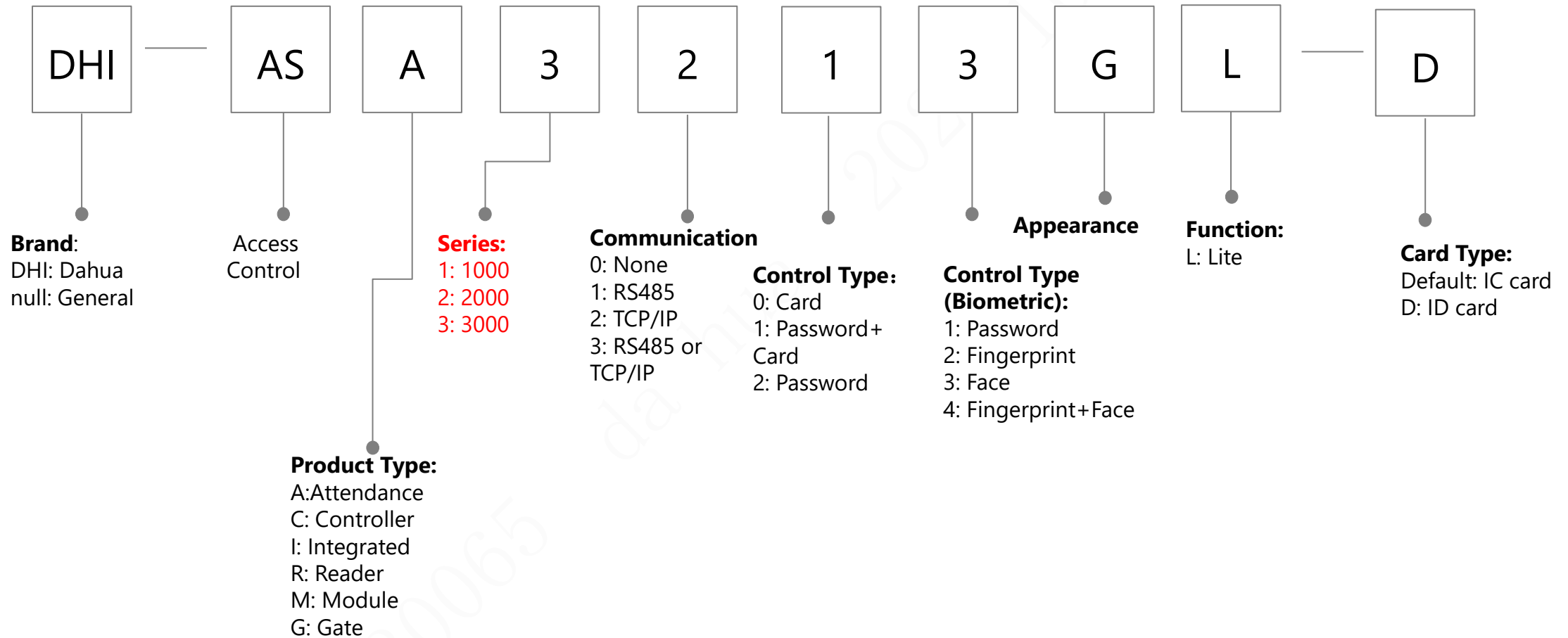
Access Control (Reader)



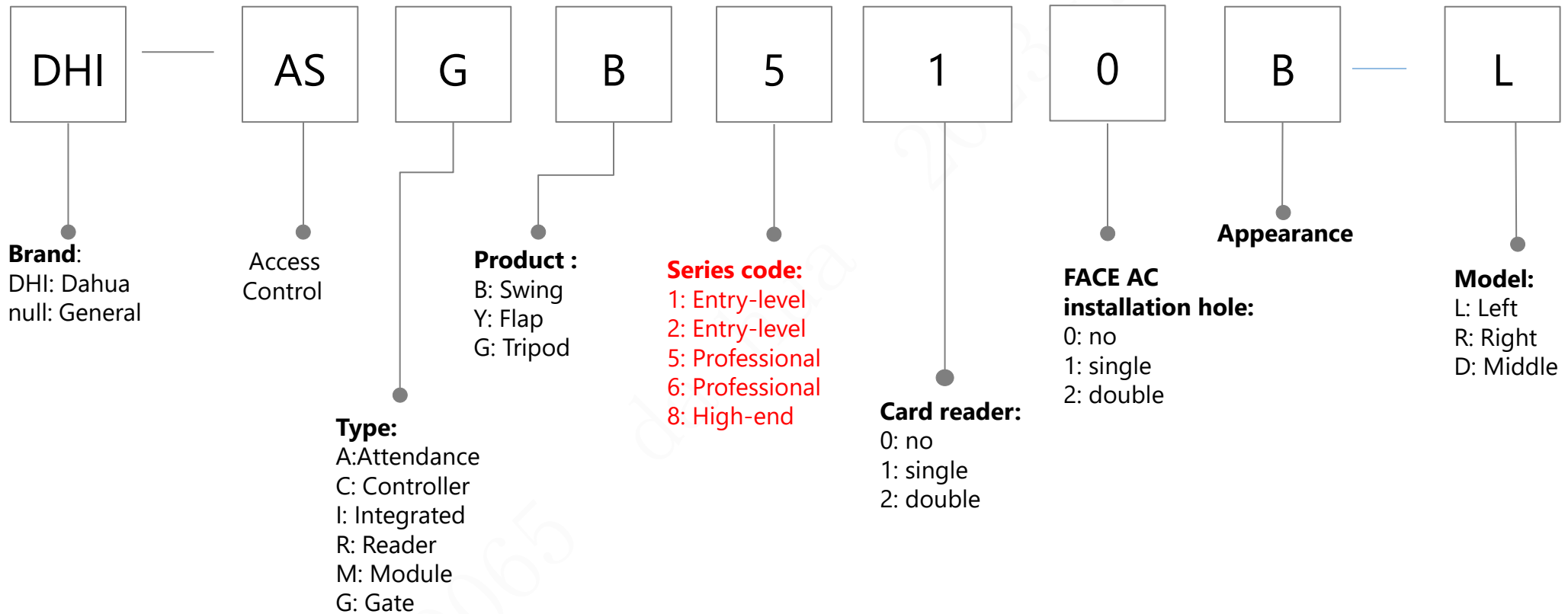
Access Control (Module)



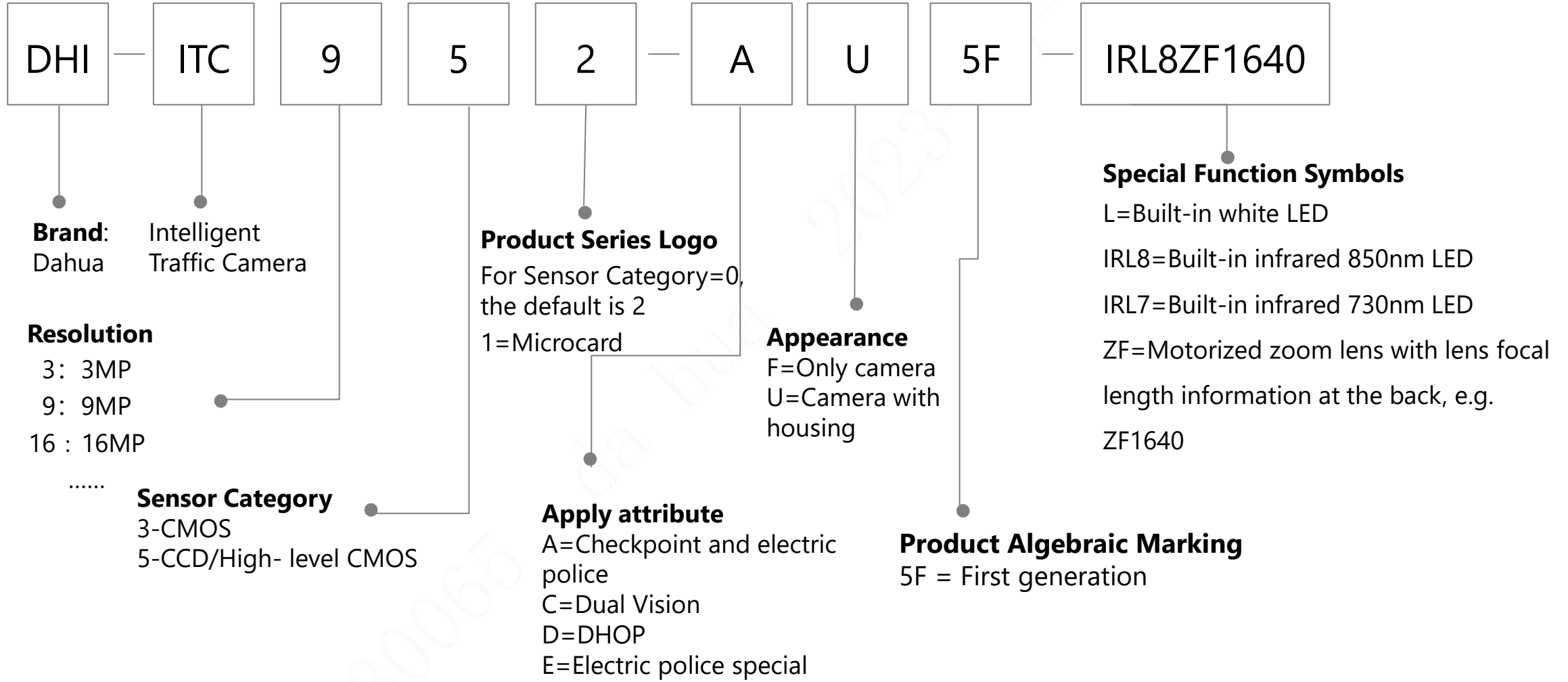
Access Control (Attendance)



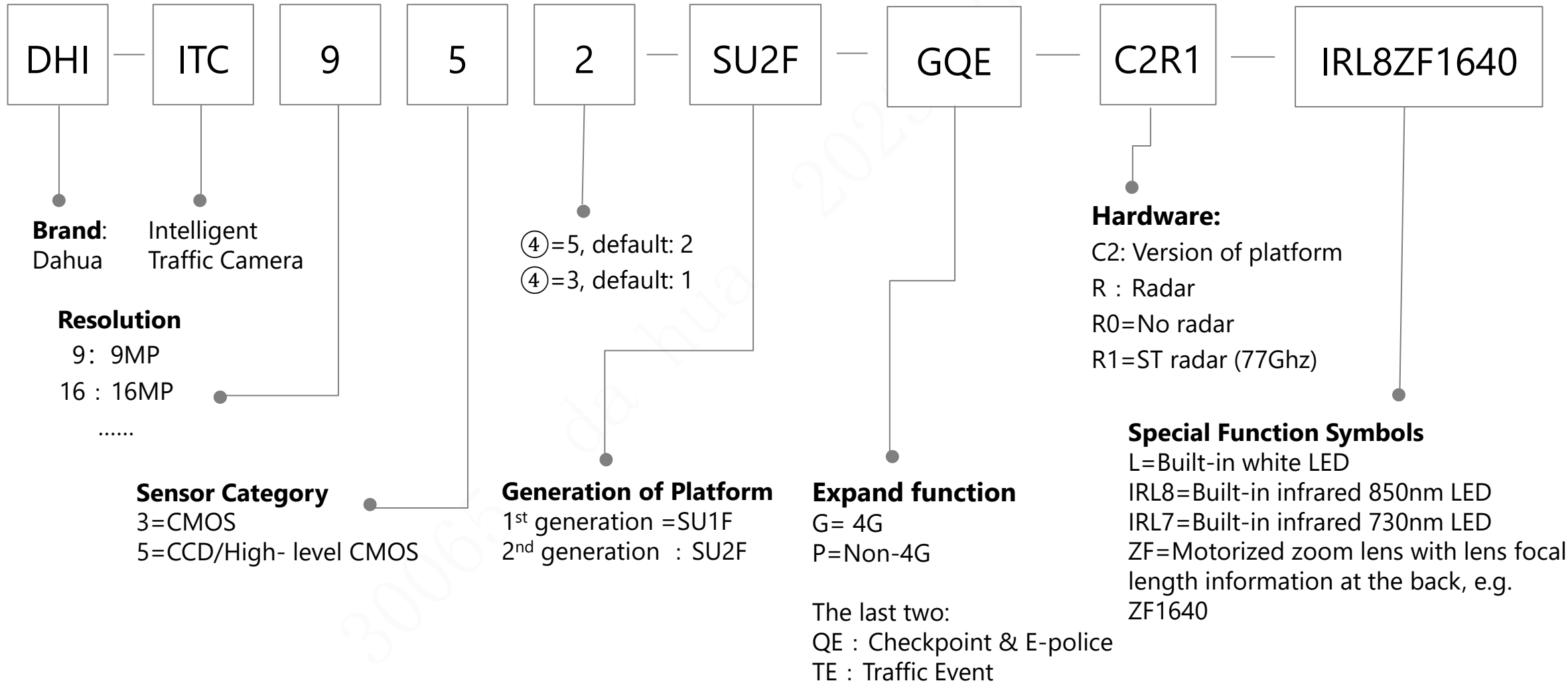
Access Control (Turnstile)



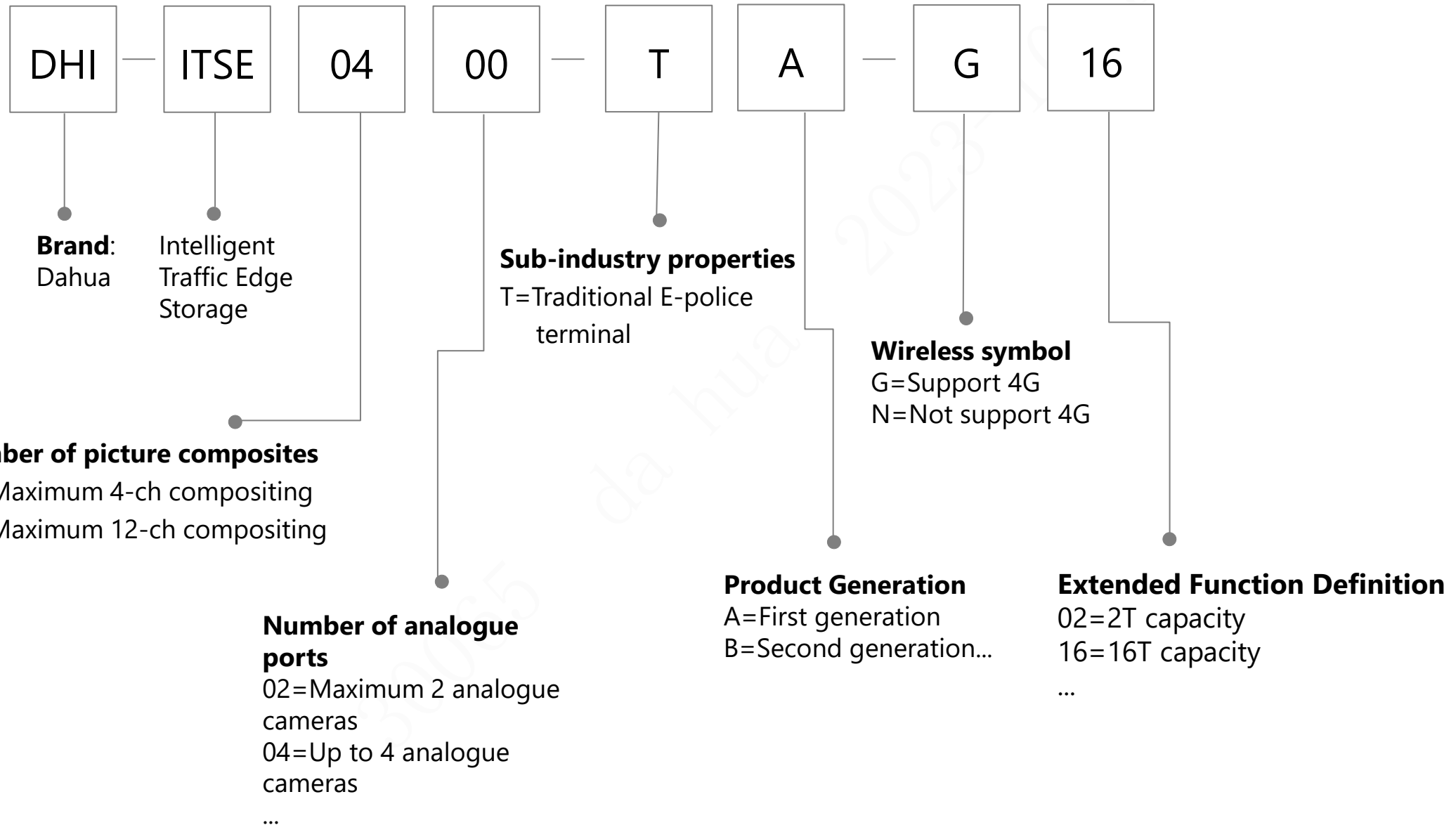
ITS-Traffic Camera



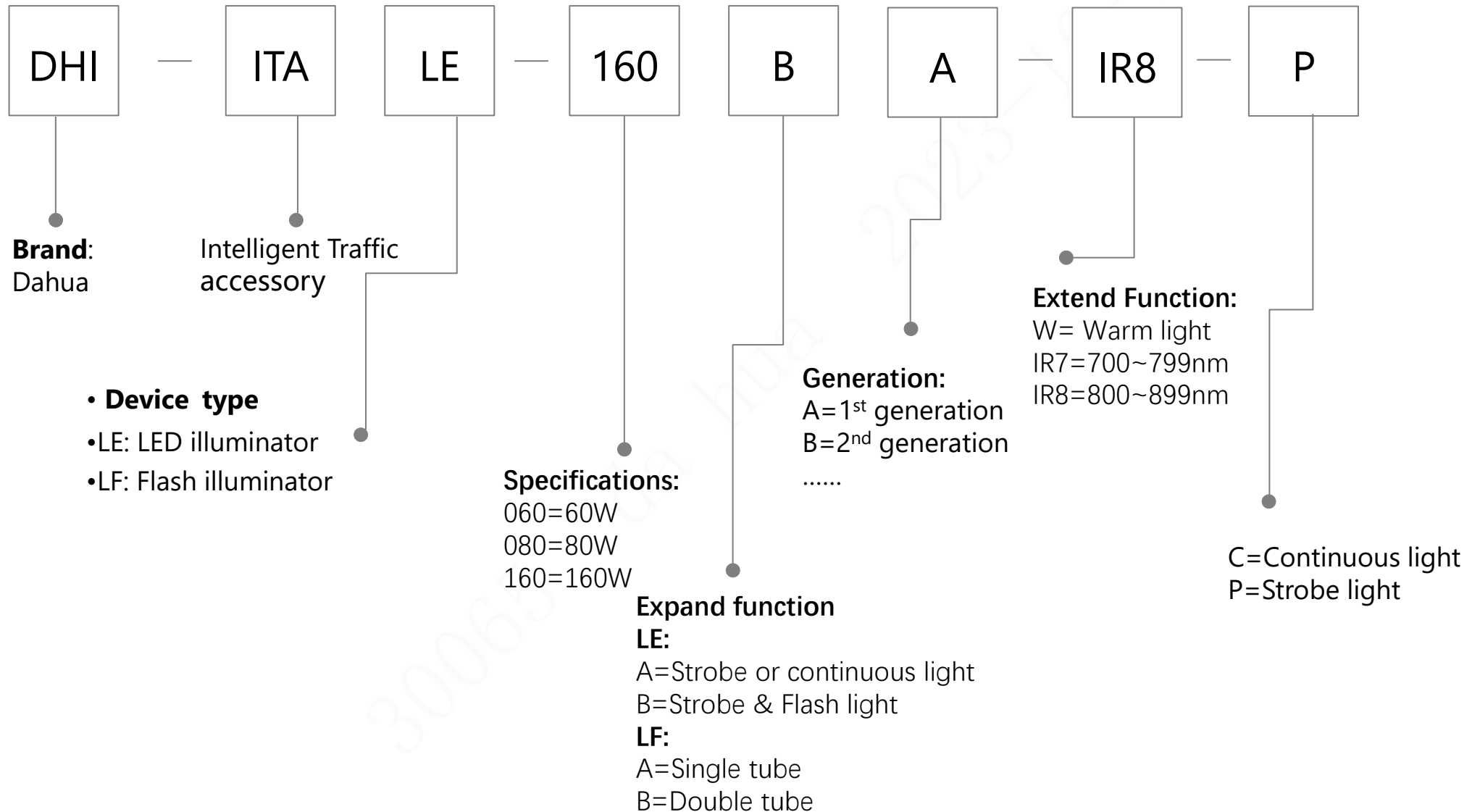
ITS-Traffic Camera-Spotter sky



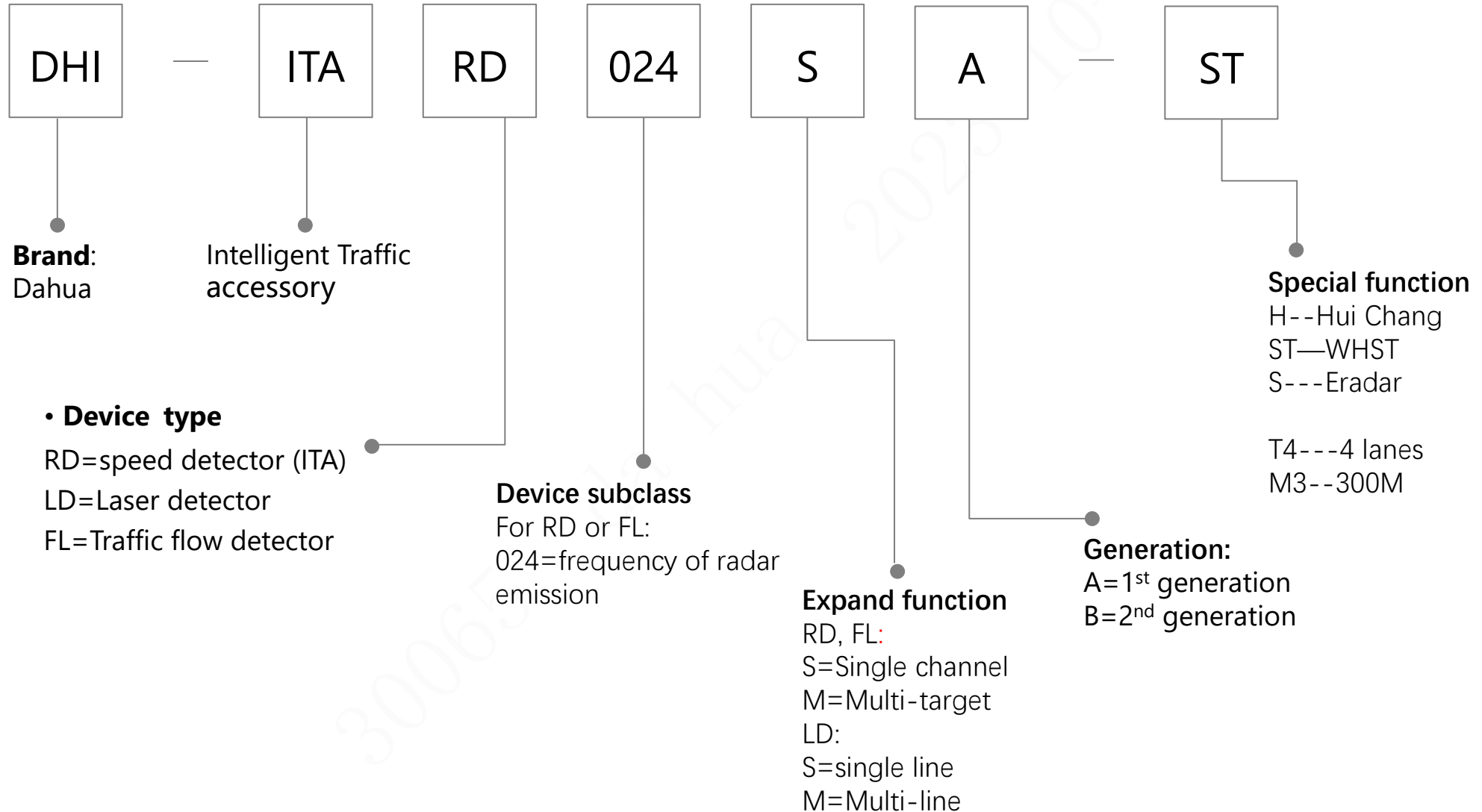
ITS-Traffic Edge Storage (ITSE)



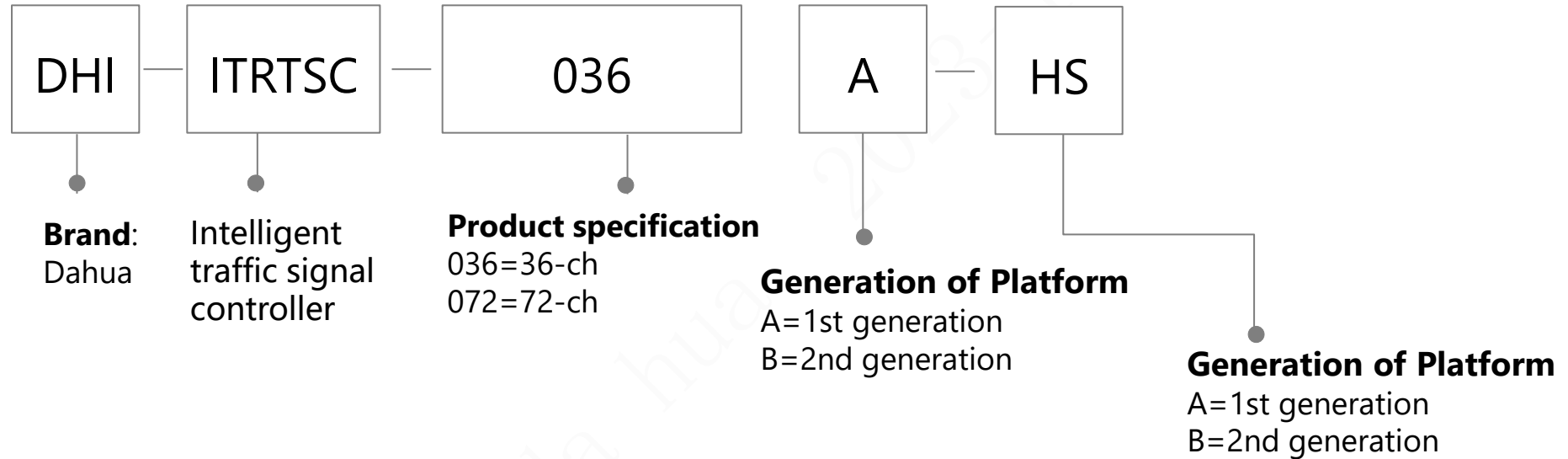
ITS-Traffic Lamp



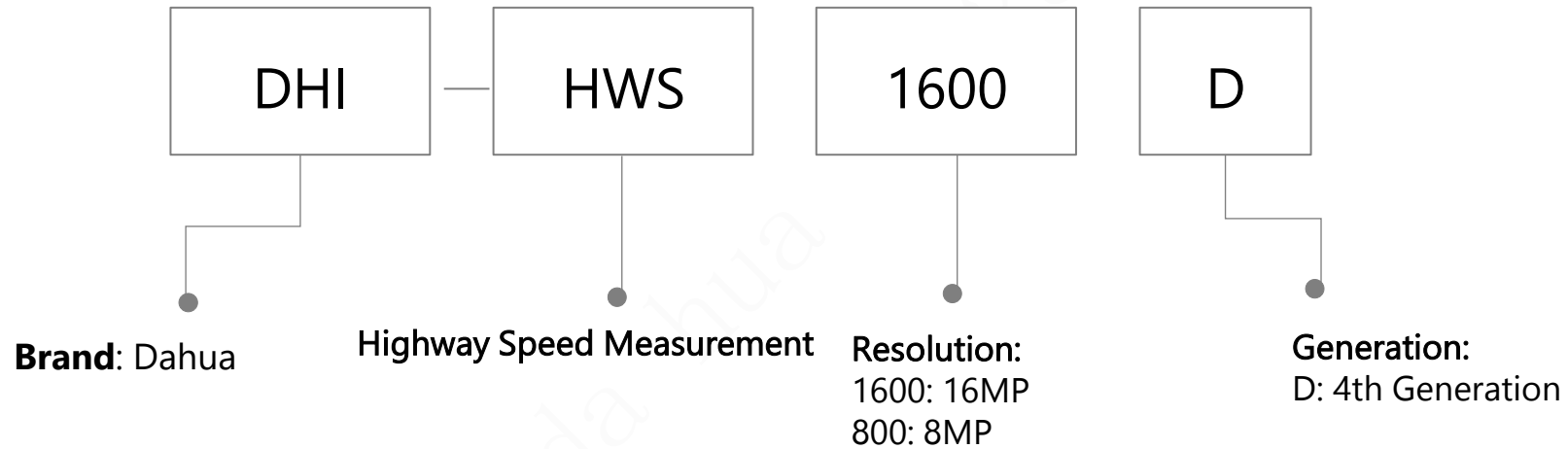
ITS-Traffic Radar



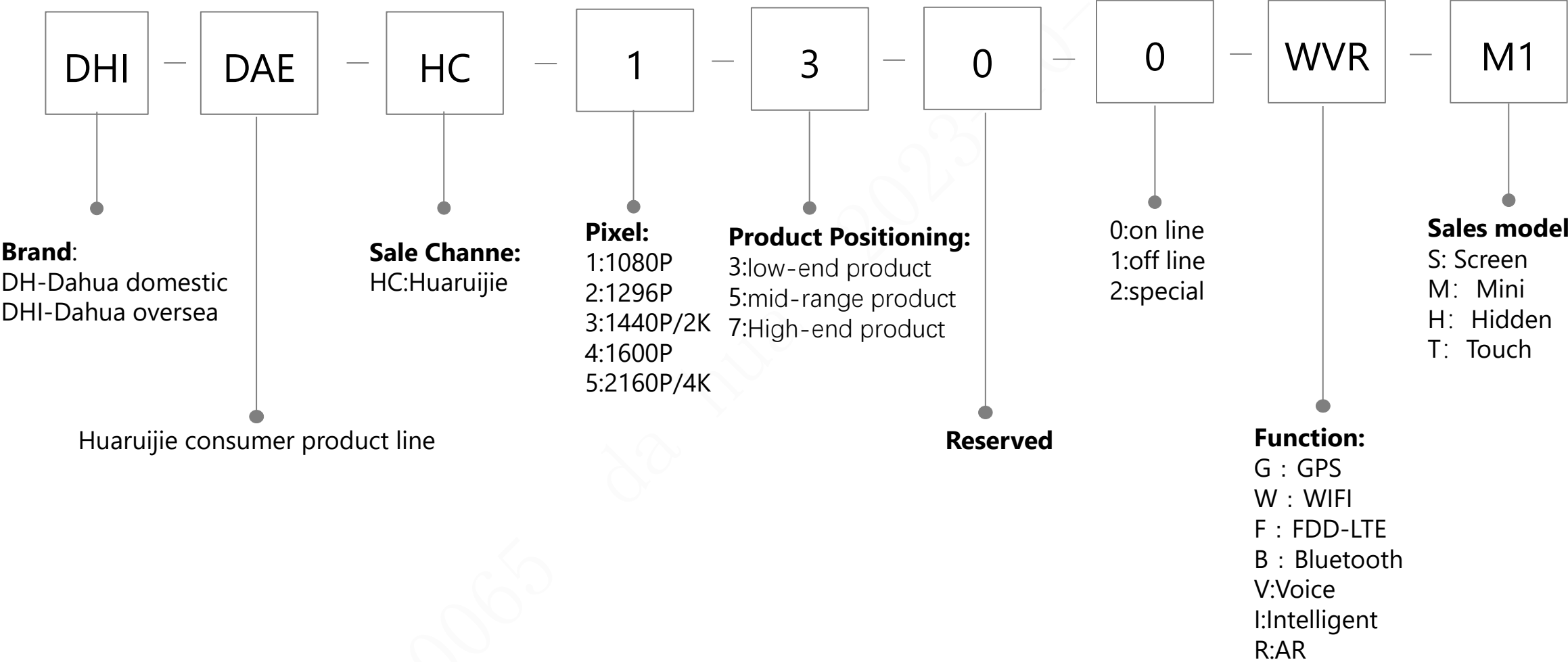
ITS-Traffic Signal Controller



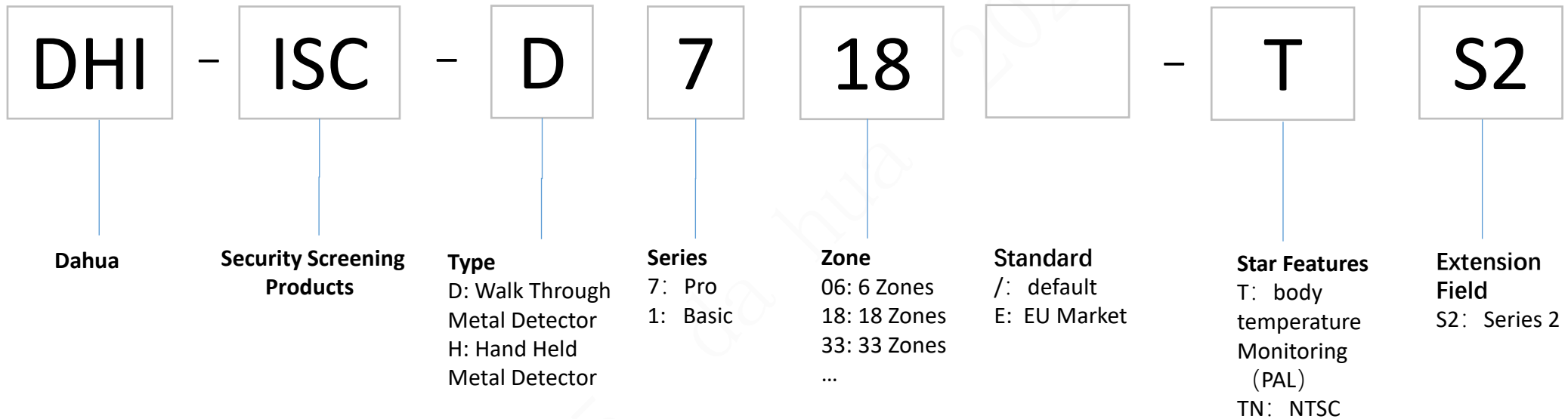
ITS-Speed Measuring System



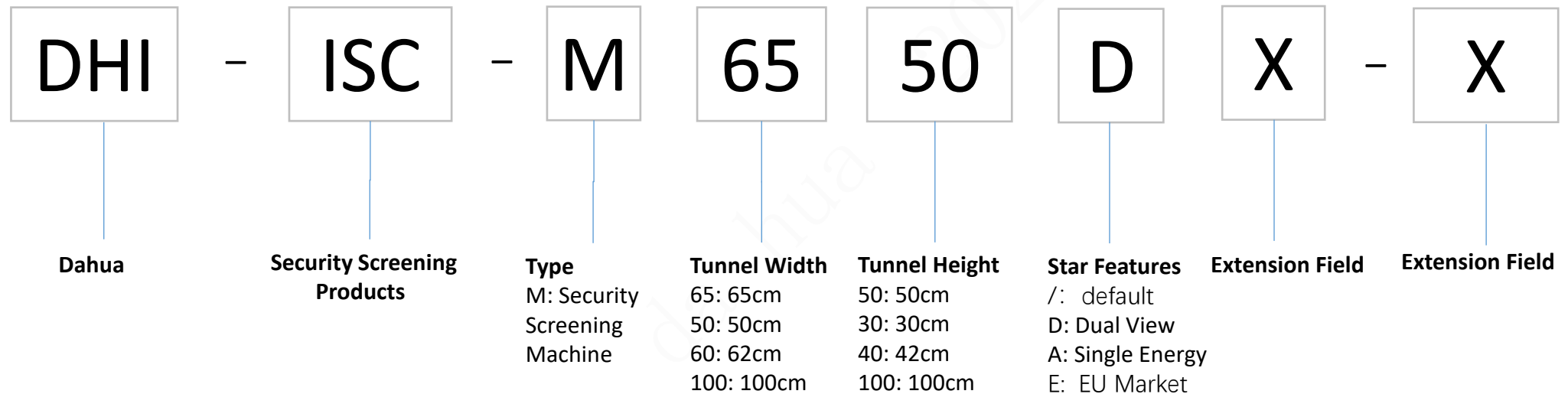
Dash Camera



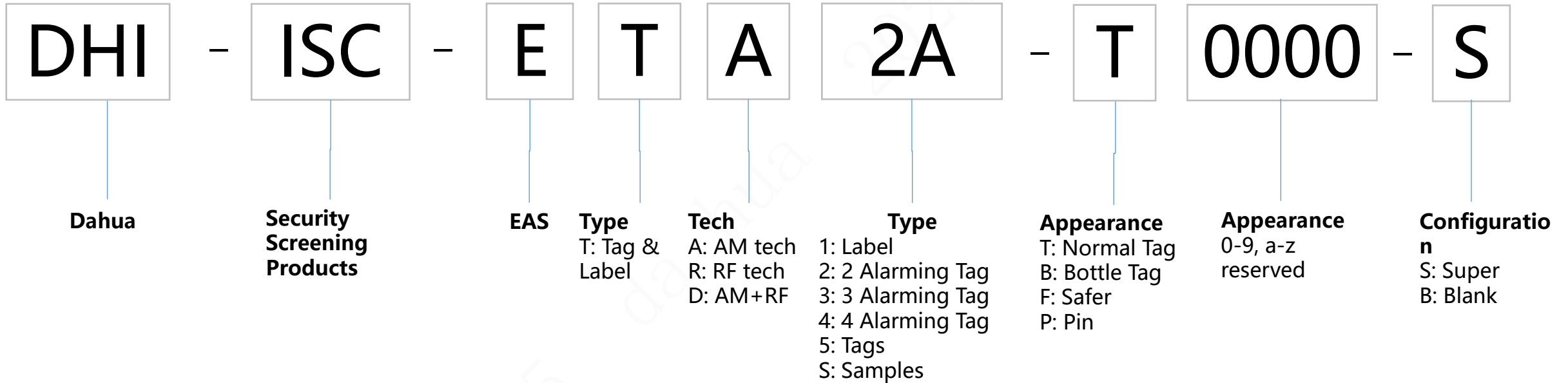
Metal Detector



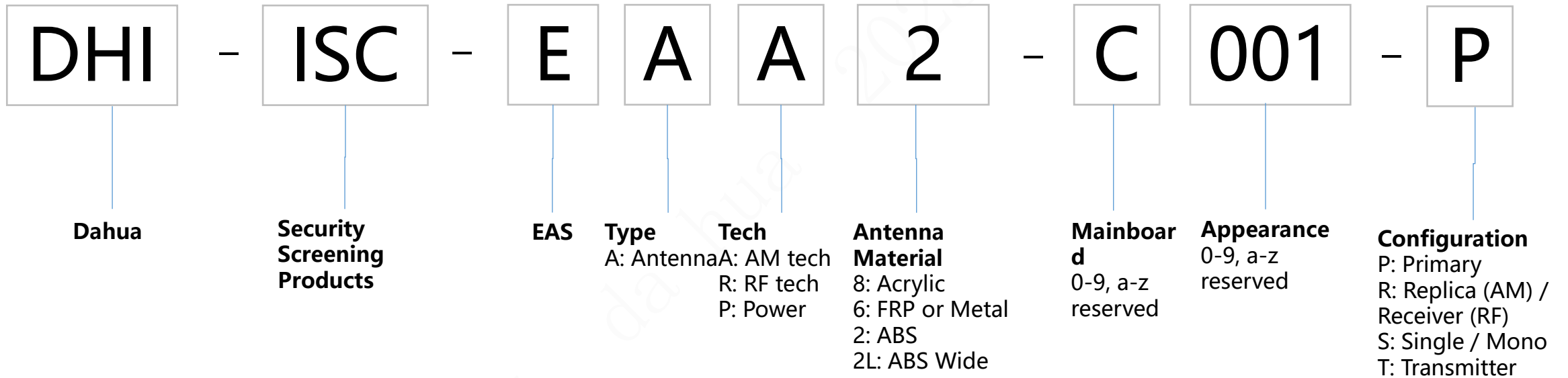
Baggage & Parcel Screening



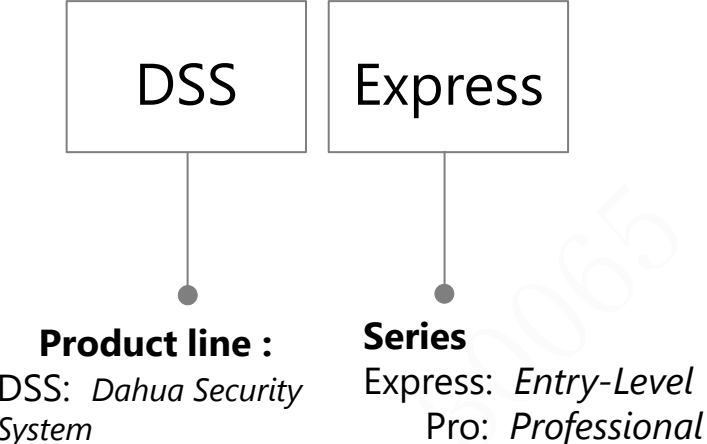
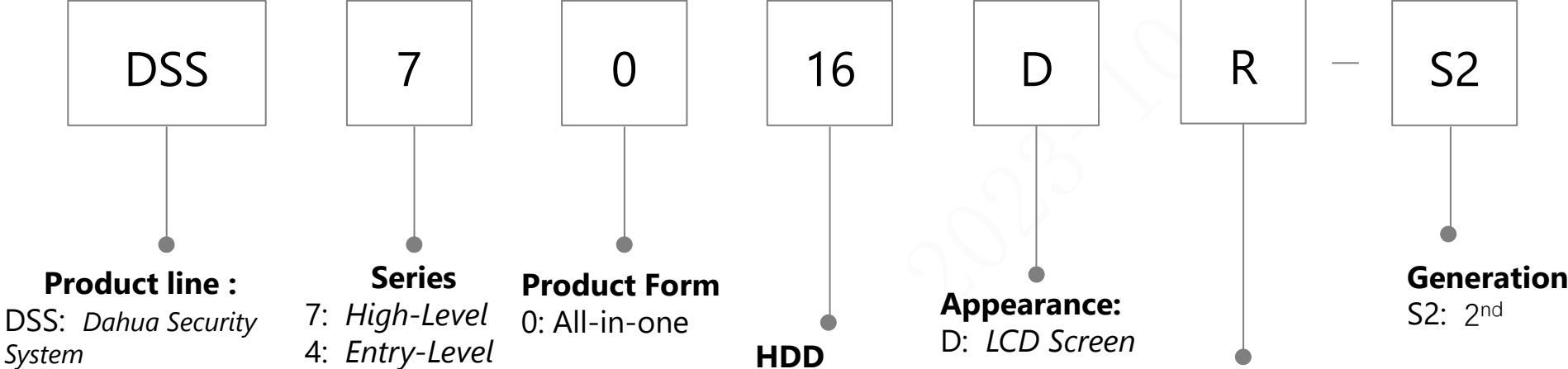
EAS Labels & Tags



EAS antenna



DSS Baseline



White board

Naming rules for external models of smart blackboard/education IFPD/conference IFPD

	Required	Required	Required	Required	Required	Required	Required	Required	Required	Required	Required	Required
Field number	①	②	③	④	⑤	⑥	⑦	⑧	⑨	⑩	⑪	
Identification	Company Identification	Product Line Identification	Sales Type	Product form	Dimension identification	Market positioning	Camera	Series identification 2	Series identification 3	Touch mode	Series identification	
smart blackboard/education IFPD/conference IFPD Example	DH	- L	C	H	86	- S	T	4	4	0	- U	
Description	DH=Dahua Brand DHI=Overseas Dahua Brand N=Domestic neutral Lack=overseas neutral	L=Interactive LCD Display	C: Channel Type P: Project type	H: Horizontal screen V: Vertical screen	55=55 inches 65=65 inches 75=75 inches 85=85 inches 86=86 inches 98=98 inches	S=education IFPD H=Smart blackboard M=conference IFPD	T: Lack of camera C: with camera	4=4K 8=8K		0: Infrared 1: Full capacitive touch screen 2: Frame capacitive touch screen	U: Ultimate P: Professional C: Classic B: Basic	
Example	DH-LCH86-ST400-U											